

CALVHLGD005A00 - CALVHLGD006A00  
CALVHLGD010A00 - CALVHLGD012A00

**SPLIT SYSTEMS HEAT PUMP  
AND AIR CONDITIONING  
CONDENSING UNITS  
ACCESSORY HAIL GUARD  
6 to 12.5 TON COOLING UNIT  
6 to 10 TON HEAT PUMP**

## Installation Instructions


**IMPORTANT:** Read these instructions completely before attempting to install the accessory hail guard.

### SAFETY CONSIDERATIONS

Installation and servicing of air-conditioning equipment can be hazardous due to system pressure and electrical components. Only trained and qualified service personnel should install, repair, or service air-conditioning equipment.

Untrained personnel can perform the basic maintenance functions. All other operations should be performed by trained service personnel. When working on air-conditioning equipment, observe precautions in the literature, tags and labels attached to the unit, and other safety precautions that may apply.

Follow all safety codes. Wear safety glasses and work gloves.

Recognize safety information. This is the safety-alert symbol . When you see this symbol on the unit and in instructions or manuals, be alert to the potential for personal injury.

Understand the signal words DANGER, WARNING, and CAUTION. These words are used with the safety-alert symbol. DANGER identifies the most serious hazards which **will** result in severe personal injury or death. WARNING signifies a hazard which **could** result in personal injury or death. CAUTION is used to identify unsafe practices which **may** result in minor personal injury or product and property damage. NOTE is used to highlight suggestions which **will** result in enhanced installation, reliability, or operation.

### WARNING

#### ELECTRICAL SHOCK HAZARD

Failure to follow this warning could cause personal injury or death.

Before beginning any modification on unit, always turn off main power switch to unit and install lockout tag. Unit may have more than one power switch.

### CAUTION

#### CUT HAZARD

Failure to follow this caution may result in personal injury. Sheet metal parts may have sharp edges or burrs. Use care and wear appropriate protective clothing, safety glasses and gloves when handling parts and servicing units.

## PACKAGE USAGE

<b>CARRIER MODEL USAGE</b>			
MODEL NO.	COIL TYPE	REF TONS	HAIL GUARD PKG PART NO.
<b>COOLING</b>			
38AUZ*07	RTPF	6	CALVHLGD005A00
38AUZ(A,B)08	RTPF	7.5	CALVHLGD005A00
38AUZ(D,E)08	RTPF	7.5	CALVHLGD006A00
38AUZ*12 38AUD*12	RTPF	10	CALVHLGD011A00
38AUZ*14 38AUD*14	RTPF	12.5	CALVHLGD012A00
<b>HEAT PUMP</b>			
38AUQ*07	RTPF	6	CALVHLGD005A00
38AUQ(A,B)08	RTPF	7.5	CALVHLGD006A00
38AUQ(D,E)08	RTPF	7.5	CALVHLGD010A00
38AUQ*12	RTPF	10	CALVHLGD010A00

<b>BRYANT MODEL USAGE</b>			
MODEL NO.	COIL TYPE	REF TONS	HAIL GUARD PKG PART NO.
<b>COOLING</b>			
569J*07A or B	RTPF	6	CALVHLGD005A00
569J*08A or B	RTPF	7.5	CALVHLGD005A00
569J*08G or H	RTPF	7.5	CALVHLGD006A00
569J*12A or B 569J*12D,E or F	RTPF	10	CALVHLGD011A00
569J*14A or B 569J*14D or E	RTPF	12.5	CALVHLGD012A00
<b>HEAT PUMP</b>			
575J*07A or B	RTPF	6	CALVHLGD005A00
575J*08A or B	RTPF	7.5	CALVHLGD006A00
575J*08G or H	RTPF	7.5	CALVHLGD010A00
575J*12A or B	RTPF	10	CALVHLGD010A00

<b>ICP MODEL USAGE</b>			
MODEL NO.	COIL TYPE	REF TONS	HAIL GUARD PKG PART NO.
<b>COOLING</b>			
CAS072	RTPF	6	CALVHLGD005A00
CAS091*A,B	RTPF	7.5	CALVHLGD005A00
CAS091*G,H	RTPF	7.5	CALVHLGD006A00
CAS120, 121	RTPF	10	CALVHLGD011A00
CAS150, 151	RTPF	12.5	CALVHLGD012A00
<b>HEAT PUMP</b>			
CHS072	RTPF	6	CALVHLGD005A00
CHS091*A,B	RTPF	7.5	CALVHLGD006A00
CHS091*G,H	RTPF	7.5	CALVHLGD010A00
CHS121	RTPF	10	CALVHLGD010A00

RTPF = Round Tube Plate Fin

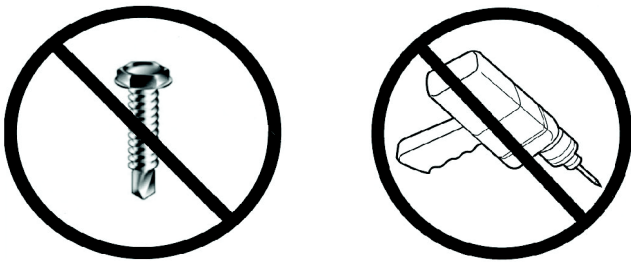
# PACKAGE CONTENTS AND PANEL USE LOCATION

HAIL GUARD PKG PART NO.	PACKAGE CONTENTS	PANEL USE LOCATION
CALVHLGD005A00	(2) Hail Guards:	----
	(1) – 37.4 x 41.6	BACK
	(1) – 37.4 x 30.6	LEFT SIDE
	(6) #10 x 1/2 Screws	----
	(4) Grommets	----
CALVHLGD006A00	(3) Hail Guards:	----
	(1) – 37.4 x 42.4	BACK
	(1) – 37.4 x 30.6	LEFT SIDE
	(1) – 37.4 x 26.5	RIGHT SIDE
	(8) #10 x 1/2 Screws	----
CALVHLGD010A00	(8) Grommets	----
	(3) Hail Guards:	----
	(1) – 45.4 x 42.4	BACK
	(1) – 45.4 x 30.6	LEFT SIDE
	(1) – 45.4 x 26.5	RIGHT SIDE
CALVHLGD011A00	(8) #10 x 1/2 Screws	----
	(8) Grommets	----
	(1) 45.3 x 41.6	BACK
	(1) 45.3 x 42.6	LEFT SIDE
CALVHLGD012A00	16 #10 Screws	----
	4 Grommets	----
	(1) 45.3 x 42.6	BACK
	(1) 45.3 X 41.5	LEFT SIDE
CALVHLGD012A00	(1) 45.3 X 26.4	RIGHT SIDE
	24 #10 Screws	----
	8 Grommets	----

## GENERAL

Louvered hail guard packages are designed to protect the unit condenser coil from hail and general contact damage. Excessive damage to unit outdoor coils can result in diminished performance due to reduced air flow over the heat transfer surfaces.

**IMPORTANT:** Never drill or use screws through the top cover to secure hail guards. Coil damage could occur.

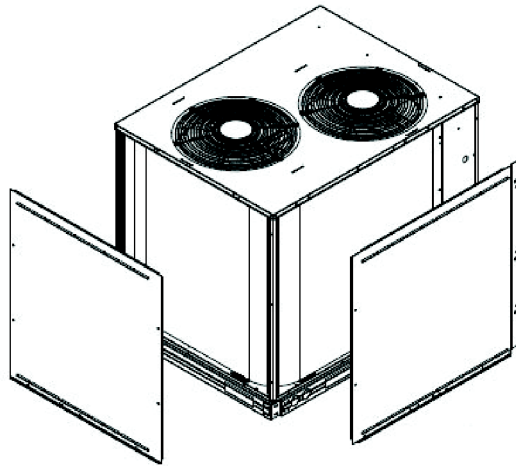


C10294

## INSTALLATION

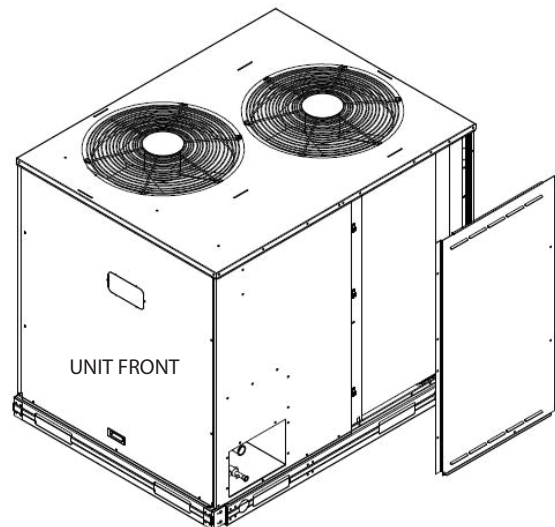
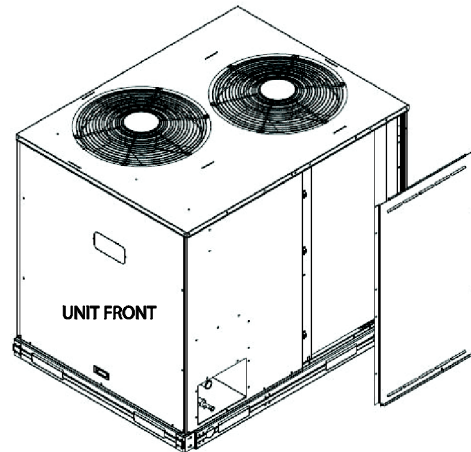
1. Verify the correct hail guard sizes are provided for the desired unit size. See Package Usage section above.
2. Hold each hail guard panel in place and remove the screws at the base of the outdoor coil and the vertical side of the coil that line up with each of the hail guard panel holes to be installed. Save the screws.
3. Insert plastic grommets in the square holes of each corner post as shown in Fig. 3.

4. Align the hail guard panel with the respective section of the outdoor coil and insert the top edge of the hail guard panel under the lip of the top cover. (See Fig. 1, 2, and 4.)
5. Reinstall screws removed from Step 2. Using screws provided with kit, fasten panel at corner post ends through panel and into the installed grommets.



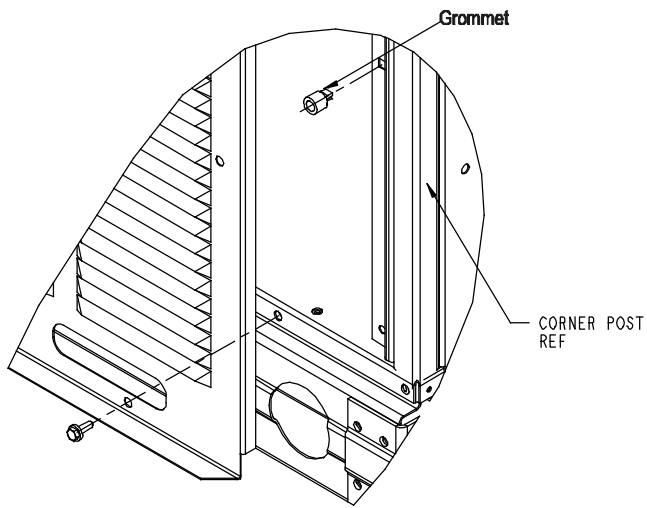
C10307

**Fig. 1 - Typical 2-Panel Hail Guard Installation**  
(Uses 4 Grommets at One Corner Post)



C10308

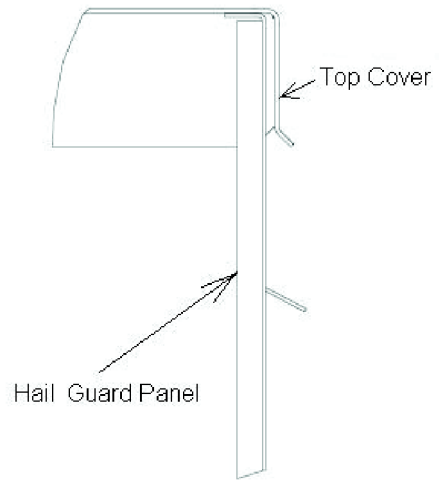
**Fig. 2 - Typical Third Panel Hail Guard Installation**  
(Uses 8 Grommets-Four on Each of 2 Corner Posts)



**Fig. 3 - Grommets in Corner Post**

C09479

**IMPORTANT:** Never drill or use screws through the top cover to secure hail guards. Coil damage could occur.



**Fig. 4 - Hail Guard Panel into Top Cover  
(Use No Screws)**

C10309