



# Installation, Start-Up and Service Instructions

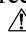
## CONTENTS

	Page
<b>SAFETY CONSIDERATIONS</b> .....	1
<b>INSTALLATION GUIDELINES</b> .....	2
<b>Replacement/Retrofit — R-22 to Puron®</b> <b>(R-410A) Refrigerant</b> .....	2
<b>GENERAL</b> .....	2
<b>Rated Indoor Airflow (cfm)</b> .....	2
<b>Matching 569J Model to Evaporator Coil</b> .....	3
<b>INSTALLATION</b> .....	7
<b>Jobsite Survey</b> .....	7
<b>Step 1 — Plan for Unit Location</b> .....	7
<b>Step 2 — Complete Pre-Installation Checks</b> .....	8
<b>Step 3 — Prepare Unit Mounting Support</b> .....	8
<b>Rig and Mount the Unit</b> .....	8
<b>Step 4 — Determine Refrigerant Line Sizes</b> .....	8
<b>Suction Riser</b> .....	10
<b>Step 5 — Complete Refrigerant Piping</b> <b>Connections</b> .....	10
<b>Step 6 — Install Accessories</b> .....	13
<b>Step 7 — Complete Electrical Connections</b> .....	13
<b>Step 8 — Wind Baffles for Low Ambient Control</b> .....	19
<b>PRE-START-UP</b> .....	19
<b>System Check</b> .....	19
<b>Turn On Crankcase Heater</b> .....	19
<b>Preliminary Charge</b> .....	19
<b>START-UP</b> .....	20
<b>Preliminary Checks</b> .....	20
<b>Start Unit</b> .....	20
<b>OPERATING SEQUENCE</b> .....	26
<b>Base Unit Controls</b> .....	26
<b>All Units</b> .....	26
<b>MAINTENANCE</b> .....	27
<b>Quarterly Inspection</b> <b>(and 30 days after initial start)</b> .....	27
<b>Seasonal Maintenance</b> .....	27
<b>SERVICE</b> .....	28
<b>Refrigeration System</b> .....	28
<b>Comfort Alert Diagnostic Module</b> .....	29
<b>Compressor Protection</b> .....	31
<b>Routine Cleaning of Round-Tube Plate Fin</b> <b>(RTPF) Coils</b> .....	31
<b>Fastener Torque Values</b> .....	32
<b>TROUBLESHOOTING</b> .....	32
<b>APPENDIX A — AIR CONDITIONER AND</b> <b>HEAT PUMP WITH PURON® —</b> <b>QUICK REFERENCE GUIDE</b> .....	35
<b>APPENDIX B — WIRING DIAGRAMS</b> .....	35
<b>APPENDIX C — LOW AMBIENT OPTION</b> .....	50
<b>START-UP CHECKLIST</b> .....	CL-1

## SAFETY CONSIDERATIONS

Improper installation, adjustment, alteration, service, maintenance, or use can cause explosion, fire, electrical shock or other conditions which may cause personal injury or property damage. Consult a qualified installer, service agency, or your distributor or branch for information or assistance. The qualified installer or agency must use factory-authorized kits or accessories when modifying this product. Refer to the individual instructions packaged with the kits or accessories when installing.

Follow all safety codes. Wear safety glasses and work gloves. Use quenching cloths for brazing operations and have a fire extinguisher available. Read these instructions thoroughly and follow all warnings or cautions attached to the unit. Consult local building codes and appropriate national electrical codes (in U.S.A., ANSI/NFPA70, National Electrical Code (NEC); in Canada, CSA C22.1) for special requirements.

It is important to recognize safety information. This is the safety-alert symbol . When you see this symbol on the unit and in instructions or manuals, be alert to the potential for personal injury.

Understand the signal words DANGER, WARNING, CAUTION, and NOTE. These words are used with the safety-alert symbol. DANGER identifies the most serious hazards which **will** result in severe personal injury or death. WARNING signifies hazards which **could** result in personal injury or death. CAUTION is used to identify unsafe practices, which **may** result in minor personal injury or product and property damage. NOTE is used to highlight suggestions which **will** result in enhanced installation, reliability, or operation.

### DANGER

#### ELECTRICAL SHOCK HAZARD

Failure to follow this warning will result in personal injury or death.

Before performing service or maintenance operations on unit, turn off main power switch to unit and install lock(s) and lockout tag(s). Ensure electrical service to rooftop unit agrees with voltage and amperage listed on the unit rating plate. Do not check compressor ohms at compressor terminals. Unit may have more than one power switch.

### WARNING

#### UNIT OPERATION AND SAFETY HAZARD

Failure to follow this warning could cause personal injury, death and/or equipment damage.

R-410A refrigerant systems operate at higher pressures than standard R-22 systems. Do not use R-22 service equipment or components on R-410A refrigerant equipment.

**⚠ WARNING**

**PERSONAL INJURY AND ENVIRONMENTAL HAZARD**

Failure to follow this warning could cause personal injury or death.

Relieve pressure and recover all refrigerant before system repair or final unit disposal.

Wear safety glasses and gloves when handling refrigerants. Keep torches and other ignition sources away from refrigerants and oils.

**⚠ CAUTION**

**PERSONAL INJURY HAZARD**

Failure to follow this caution may result in personal injury.

Sheet metal parts may have sharp edges or burrs. Use care and wear appropriate protective clothing, safety glasses and gloves when handling parts and servicing air conditioning equipment.

**INSTALLATION GUIDELINES**

**Replacement/Retrofit — R-22 to Puron® (R-410A) Refrigerant**

Replacement/retrofit installations require change-out of outdoor unit, metering device, and filter driers. Change-out of indoor coil (evaporator) and interconnecting tubing is recommended.

**EXISTING EVAPORATOR COIL**

If the existing evaporator coil is intended to be re-used, check with the coil manufacturer to verify the coil construction is suitable for operation with the higher pressures of Puron® refrigerant (R-410A). Also determine if the existing TXV valve is compatible with R-410A; replace if necessary. The minimum factory test pressure rating must be 250 psig (1725 kPa). Existing coil will need to be purged with Nitrogen to remove as much mineral oil as possible to eliminate cross contamination of oils.

**ACID TEST**

If the existing system is being replaced because of a compressor electrical failure, assume acid is in system. If system is being replaced for any other reason, use an approved acid test kit to determine acid level. If even low levels of acid are detected, install a 100 percent activated alumina suction-line filter drier in addition to the replacement liquid-line filter drier. Remove the suction line filter drier as soon as possible, with a maximum of 72 hr of operation. Recommendation: Install a ball valve in the liquid line at the filter drier location when installing a suction filter in the suction line.

**EXISTING REFRIGERATION PIPING**

Reuse of existing refrigerant piping involves three issues: quality (strength) of existing tubing, cleanliness and tube size. Inspect all tube segments and joints for signs of damage, corrosion or poor brazing. Flush the interconnecting piping system with dry Nitrogen to eliminate as much trace of mineral oil as possible.

Same tube sizes are capable of handling higher flowrates (expressed as tons of cooling capacity) with Puron refrigerant compared to R-22 at constant pressure drops. For example, a 1/2-inch OD liquid line is rated at 33% higher tons with Puron than with R-22 (at 5°F pressure drop). A 1-1/8 inch OD suction line is rated at 53% higher tons with Puron than with R-22 (at 2°F pressure drop). Refrigeration lines selected for R-22 use

are typically oversized for Puron applications. Carefully check the existing suction line size against the table for maximum size; replace vertical riser segments if necessary. Check existing liquid line size against sizing data in Tables 8 and 9 or; replace with smaller lines when feasible.

**INSTALLATION**

1. Remove the existing evaporator coil or fan coil and install the replacement coil when appropriate.
2. Drain oil from low points and traps in suction line tubing and evaporator if they were not replaced. Removing oil from evaporator coil may require purging of the tubing with dry nitrogen.
3. Unless indoor unit is equipped with a Puron approved metering device, change the metering device to a thermal expansion valve (TXV) designed for Puron refrigerant (R-410A).
4. Remove the existing outdoor unit. Install the new outdoor unit according to these installation instructions.
5. Install a new field-supplied liquid-line filter drier at the indoor coil just upstream of the TXV or fix orifice metering device.
6. If a suction line filter drier is also to be installed, install suction line drier downstream of suction line service valve at condensing unit.

**⚠ CAUTION**

**EQUIPMENT DAMAGE**

Failure to follow this caution can result in equipment damage.

Do not install a suction-line filter drier in liquid line. A liquid-line filter drier designed for use with R-410A refrigerant is required on every unit.

7. If required, install a 100% activated alumina suction line filter drier at the outdoor unit.
8. Evacuate and charge the system according to the instructions in this installation manual.
9. Operate the system for 10 hr. Monitor the pressure drop across the suction line filter drier. If pressure drop exceeds 3 psig (21kPa), replace suction-line and liquid-line filter driers. Be sure to purge system with dry nitrogen and evacuate when replacing filter driers. Continue to monitor the pressure drop across suction-line filter drier. Repeat filter changes if necessary. Never leave suction-line filter drier in system longer than 72 hr (actual time).

**GENERAL**

See Fig. 1 for 569J model number nomenclature. For date of unit manufacture see Fig. 2 serial number nomenclature. For unit dimensions see Fig. 3. For corner weights see Table 4. For physical data see Tables 5 and 6.

**Rated Indoor Airflow (cfm)**

Tables 1 and 2 list the rated indoor airflow used for the AHRI efficiency rating for the units covered in this document.

**Table 1 — 569J\*\*\*G/H/M/N with 524J/F**

MODEL NUMBERS	FULL LOAD AIRFLOW (CFM)
569J*07G/H — 524F*07A	2400
569J*08G/H — 524F*08A	3000
569J*12M/N — 524F*12A	4000
569J*14M/N — 524J*14A	4400

**Table 2 — 569J\*\*\*T/U with 524J/F**

MODEL NUMBERS	FULL LOAD AIRFLOW (CFM)
569J*12T/U — 524F*12A	4000
569J*14T/U— 524J*14A	4400

The Model 569J\*\*\*T/U is a dual-circuit unit design that requires two sets of refrigeration piping between the outdoor unit and the evaporator coil (or coils). This model can only be connected to an evaporator coil that has two refrigeration circuits (or to two separate evaporator coils). The Model 569J\*\*\*T/U CANNOT be connected to a single-circuit evaporator coil. The Model 569J\*\*\*T/U CANNOT be field-converted to a single-circuit design. See Table 3.

Before unpacking this new 569J model, compare the evaporator coil design to the 569J model.

**Table 3 — Evaporator Coil Connections**

EVAPORATOR COIL HAS	CONNECT TO MODEL	NOTES
Single Circuit	569J***G/H/M/N ONLY	—
Two Circuits	569J***G/H/M/N	Manifold evaporator circuits into single piping system.
	569J***T/U	Use two separate piping systems

**Matching 569J Model to Evaporator Coil**

The Model 569J\*\*\*G/H/M/N is a single-circuit unit design, requiring one set of refrigeration piping. This model can be connected to an evaporator coil with one circuit or with two circuits (by manifolding the evaporator connections into a single piping system).

1	2	3	4	5	6	7	8	9	10	11	12	13	14	15	16	17
5	6	9	J	E	1	2	M	0	0	0	A	0	0	A	0	A

**Model Type**

569J = Bryant Condensing Unit  
Puron® R-410A Refrigerant

**Voltage**

E = 460/3/60  
P = 208/230/3/60  
T = 575/3/60

**Nominal Tonnage**

07 = 6 Tons  
08 = 7.5 Tons  
12 = 10 Tons  
14 = 12.5 Tons

**Refrigerant Circuit**

G = Single Circuit, Two Stage (size 07 and 08 only)  
H = Single Circuit, Two Stage with Low Ambient Controller (size 07 and 08 only)  
M = Single Circuit, Two Stage (size 12 and 14 only)<sup>1</sup>  
N = Single Circuit, Two Stage with Low Ambient Controller (size 12 and 14 only)<sup>1</sup>  
T = Dual Circuit, Three Stage (size 12 and 14 only)  
U = Dual Circuit, Three Stage with Low Ambient Controller (size 12 and 14 only)

**Not Used**

0 = Not Used

**Not Used**

0 = Not Used

**Not Used**

0 = Not Used

**Packaging**

A = Standard  
B = LTL

**Base Unit Controls**

0 = Electro-Mechanical Controls

**Electrical Options**

A = None  
C = Non-Fused Disconnect

**Service Options**

0 = None  
1 = Unpowered Convenience Outlet  
2 = Powered Convenience Outlet

**Not Used**

0 = Not Used

**Coil Options**

**RTPF**

A = Al/Cu Standard  
B = Pre Coated Al/Cu  
C = E-Coated Al/Cu  
E = Cu/CuM=Al/Cu Standard with Louvered Hail Guard  
M = Al/Cu with Louvered Hail Guard  
N = Pre Coated Al/Cu with Louvered Hail Guard  
P = E-Coated Al/Cu with Louvered Hail Guard  
R = Cu/Cu with Louvered Hail Guard

<sup>1</sup> 569J\*12/14 models with M/N in the 8th digit meet Department of Energy (DOE) 2023 IEER requirements.

**Fig. 1 — Model Number Nomenclature**

POSITION NUMBER	1	2	3	4	5	6	7	8	9	10
TYPICAL	0	5	1	5	C	1	2	3	4	5

**POSITION**

1-2  
3-4  
5  
6-10

**DESIGNATES**

Week of manufacture (fiscal calander)  
Year of manufacture ("15" = 2015)  
Manufacturing location  
Sequence number

**Fig. 2 — Serial Number Nomenclature**



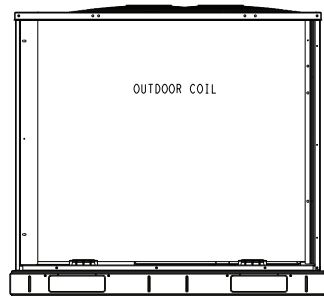
THIS DOCUMENT IS THE PROPERTY OF CARRIER CORPORATION AND IS DELIVERED UPON THE EXPRESS CONDITION THAT THE CONTENTS WILL NOT BE DISCLOSED WITHOUT WRITTEN CONSENT.

SUBMISSION OF THESE DRAWINGS OR DOCUMENTS DOES NOT CONSTITUTE PART PERFORMANCE OR ACCEPTANCE OF CONTRACT.

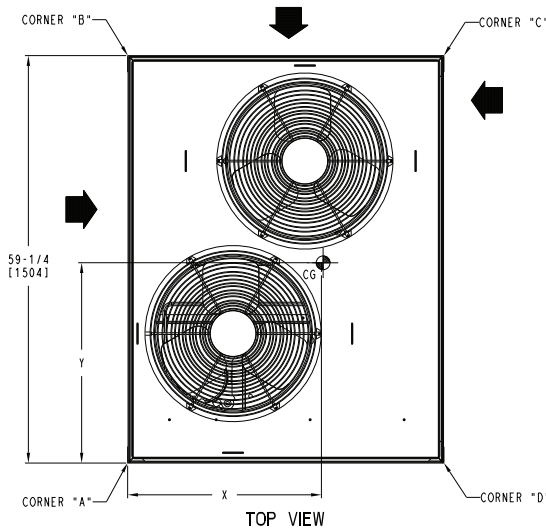
CG CENTER OF GRAVITY

➔ DIRECTION OF AIR FLOW

DIMENSIONS IN [ ] ARE IN MM

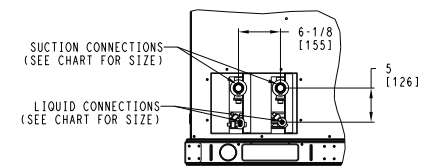


REAR VIEW

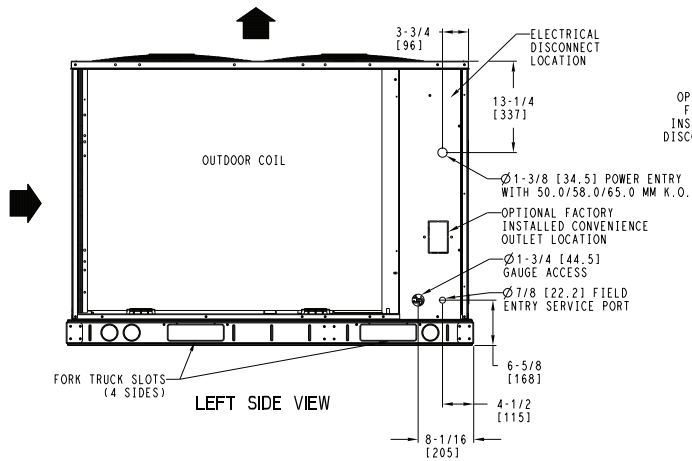


TOP VIEW

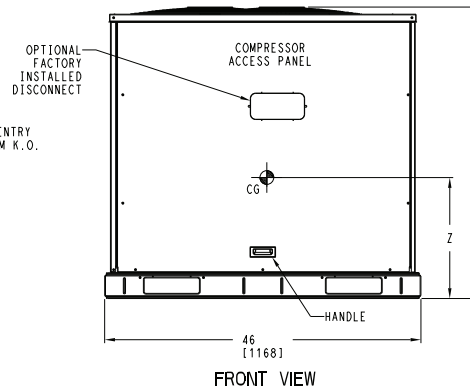
UNIT	SERVICE VALVE CONNECTIONS		QTY
	SUCTION	LIQUID	
569J-07(A,B)	1-1/8 [28.6]	3/8 [9.5]	1
569J-08(A,B)	1-1/8 [28.6]	1/2 [12.7]	1
569J-12(A,B,M,N)	1-3/8 [34.9]	1/2 [12.7]	1
569J-14(A,B,M,N)	1-3/8 [34.9]	5/8 [15.9]	1
569J-12(D,E,T,U)	1-1/8 [28.6]	3/8 [9.5]	2
569J-14(D,E,T,U)	1-3/8 [34.9]	1/2 [12.7]	2
575J-07(A,B,G,H)	1-1/8 [28.6]	3/8 [9.5]	1
575J-08(A,B,G,H,M,N)	1-1/8 [28.6]	1/2 [12.7]	1
575J-12(G,H)	1-3/8 [34.9]	1/2 [12.7]	1



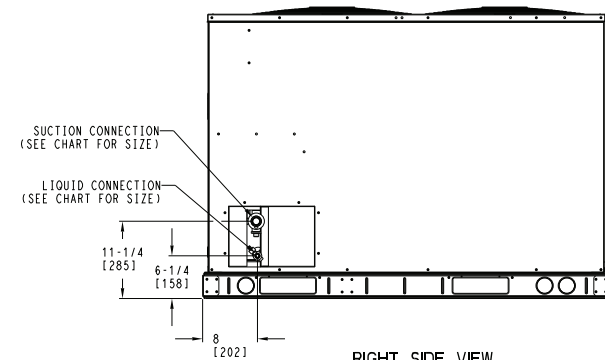
RIGHT SIDE VIEW  
(FOR 569JD SYSTEMS)



LEFT SIDE VIEW



FRONT VIEW



RIGHT SIDE VIEW  
(FOR 569JA AND 575JA SYSTEMS)

ITC CLASSIFICATION	SHEET	DATE	SUPERCEDES	CONDENSING UNIT	REV
U.S. ECCN: NSR	2 OF 2	01/09/23	12/01/22	569J-A/569J-D/575J-A-07/08/12/14	L
				38AU500350	

Fig. 3 — 569J\*07-14 Base Unit Dimensions

**Table 4 — 569J Corner Weights**

UNIT	STD. UNIT WT.		CORNER A		CORNER B		CORNER C		CORNER D		CENTER OF GRAVITY <sup>a</sup>			UNIT HEIGHT <sup>a</sup>
	lb	kg	lb	kg	lb	kg	lb	kg	lb	kg	X	Y	Z	H
569J*07	389	176	141	64	96	44	62	28	91	41	18 [457.2]	24 [609.6]	21 [533.4]	42 3/8 [1076.0]
569J*08	430	195	142	64	96	44	76	34	111	50	18 [457.2]	24 [609.6]	21 [533.4]	42 3/8 [1076.0]
569J*12M/N	490	222	177	80	120	54	78	35	114	52	18 [457.2]	24 [609.6]	24 [609.6]	50 3/8 [1279.2]
569J*14M/N	598	271	195	88	142	64	110	50	151	68	20 [508.0]	25 [635.0]	24 [609.6]	50 3/8 [1279.2]
569J*12T/U	516	234	185	84	117	53	83	38	131	59	19 [482.6]	23 [584.2]	24 [609.6]	50 3/8 [1279.2]
569J*14T/U	654	297	214	97	155	70	120	54	165	75	20 [508.0]	25 [635.0]	24 [609.6]	50 3/8 [1279.2]

NOTE(S):

a. Dimensions are in inches [mm].

**Table 5 — 569J\*07-12 Single Circuit Models — Physical Data**

UNIT	569J*07G/H	569J*08G/H	569J*12M/N	569J*14M/N
<b>NOMINAL CAPACITY (tons)</b>	6	7.5	10	12.5
<b>OPERATING WEIGHT (lb)</b>	389	430	490	598
<b>Refrigeration System</b>				
<b>No. Circuits / No. Comp. / Type</b>	1 / 1 / Scroll	1 / 1 / Scroll	1 / 1 / Scroll	1 / 1 / Scroll
<b>Refrigerant Type</b>	Puron® R-410A	Puron R-410A	Puron R-410A	Puron R-410A
<b>R-410A Shipping Charge A/B (lb)</b>	9.0	9.0	9.0	9.0
<b>System Charge w/ Fan Coil<sup>a</sup></b>	14.0	17.0	20.0	43.0
<b>Metering Device</b>	TXV	TXV	TXV	TXV
<b>High-press. Trip / Reset (psig)</b>	630 / 505	630 / 505	630 / 505	630 / 505
<b>Low-press. Trip / Reset (psig)</b>	54 / 117	54 / 117	54 / 117	54 / 117
<b>Compressor</b>				
<b>Oil Charge A/B (oz)</b>	56	60	85	84
<b>Speed (rpm, 60 Hz)</b>	3500	3500	3500	3500
<b>Condenser Coil</b>				
<b>Material</b>	Al/Cu	Al/Cu	Al/Cu	Al/Cu
<b>Coil Type</b>	RTPF	RTPF	RTPF	RTPF
<b>Rows / FPI</b>	2 / 17	2 / 17	2 / 17	3 / 17
<b>Total Face Area (ft<sup>2</sup>)</b>	17.5	17.5	25.1	31.8
<b>Condenser Fan / Motor</b>				
<b>Qty / Motor Drive Type</b>	2 / direct	2 / direct	2 / direct	2 / direct
<b>Motor HP / RPM</b>	1/4 / 1100	1/4 / 1100	1/4 / 1100	1/4 / 1100
<b>Fan Diameter (in.)</b>	22	22	22	22
<b>Nominal Airflow (cfm)</b>	6,000	6,000	6,000	6,000
<b>Watts (total)</b>	610	610	610	610
<b>Piping Connections</b>				
<b>Qty / Suction (in. ODS)</b>	1 / 1 1/8	1 / 1 1/8	1 / 1 3/8	1 / 1 3/8
<b>Qty / Liquid (in. ODS)</b>	1 / 3/8	1 / 1/2	1 / 1/2	1 / 5/8

NOTE(S):

a. Approximate system charge with about 25 ft piping of sizes indicated with matched 524J or 524F.

**Table 6 — 569J\*12-14 Two Circuit Models – Physical Data**

UNIT	569J*12T/U	569J*14T/U
<b>NOMINAL CAPACITY (tons)</b>	10	12.5
<b>OPERATING WEIGHT (lb)</b>	516	654
<b>Refrigeration System</b>		
<b># Circuits / # Comp. / Type</b>	2 / 2 / Scroll	2 / 2 / Scroll
<b>Refrigerant Type</b>	Puron R-410A	Puron R-410A
<b>R-410A Shipping Charge A/B (lb)</b>	9.0 / 9.0	9.0 / 9.0
<b>System Charge w/ Fan Coil<sup>a</sup></b>	11.9 / 13.1	16.2 / 16.1
<b>Metering Device</b>	TXV	TXV
<b>High-press. Trip / Reset (psig)</b>	630 / 505	630 / 505
<b>Low-press. Trip / Reset (psig)</b>	54 / 117	54 / 117
<b>Compressor</b>		
<b>Oil Charge A/B (oz)</b>	42 / 42	56 / 56
<b>Speed (rpm, 60 Hz)</b>	3500	3500
<b>Condenser Coil</b>		
<b>Material</b>	Al/Cu	Al/Cu
<b>Coil Type</b>	RTPF	RTPF
<b>Rows / FPI</b>	2 / 17	3 / 17
<b>Total Face Area (ft<sup>2</sup>)</b>	31.8	31.8
<b>Condenser Fan / Motor</b>		
<b>Qty / Motor Drive Type</b>	2 / direct	2 / direct
<b>Motor HP / RPM</b>	1/4 / 1100	1/4 / 1100
<b>Fan Diameter (in.)</b>	22	22
<b>Nominal Airflow (cfm)</b>	6,000	6,000
<b>Watts (total)</b>	610	610
<b>Piping Connections</b>		
<b>Qty / Suction (in. ODS)</b>	2 / 1 1/8	2 / 1 3/8
<b>Qty / Liquid (in. ODS)</b>	2 / 3/8	2 / 1/2

NOTE(S):

a. Approximate system charge with about 25 ft piping of sizes indicated with matched 524J or 524F.

## INSTALLATION

### Jobsite Survey

Complete the following checks before installation.

1. Consult local building codes and the NEC (National Electrical Code) ANSI/NFPA 70 for special installation requirements.
2. Determine unit location (from project plans) or select unit location.
3. Check for possible overhead obstructions which may interfere with unit lifting or rigging.

### Step 1 — Plan for Unit Location

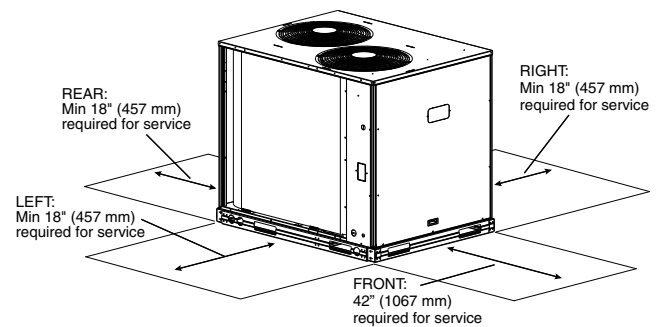
The 569J units are designed and approved for outdoor installation only. Do not locate these units indoors. Do not add ducting to unit fan system.

Select a location for the unit and its support system (pad, rails or other) that provides for the minimum clearances required for safety. This includes the clearance to combustible surfaces, unit performance and service access below, around and above unit as specified in unit drawings. See Fig. 4.

NOTE: Local codes may require different clearances than specified in Fig. 4. It is the responsibility of installers to be knowledgeable in local codes and to modify the recommended clearances to satisfy local codes.

NOTE: Consider also the effect of adjacent units on airflow performance and control box safety clearance.

Do not install the outdoor unit in an area where fresh air supply to the outdoor coil may be restricted or when recirculation from the condenser fan discharge is possible. Do not locate the unit in a well or next to high walls.



NOTE: Observe requirements for 39" (914 mm) operating clearance on either Left or Rear coil opening.

**Fig. 4 — Service Clearance Dimensional Drawing**

Evaluate the path and required line length for interconnecting refrigeration piping, including suction riser requirements (outdoor unit above indoor unit) and liquid line lift (outdoor unit below indoor unit). Relocate sections to minimize the length of interconnecting tubing.

**IMPORTANT: DO NOT BURY REFRIGERANT LINES.**

Although unit is weatherproof, avoid locations that permit water from higher level runoff and overhangs to fall onto the unit.

## Step 2 — Complete Pre-Installation Checks

### CHECK UNIT ELECTRICAL CHARACTERISTICS

Confirm before installation of unit that voltage, amperage and circuit protection requirements listed on unit data plate agree with power supply provided.

### UN-CRATE UNIT

Remove unit packaging except for the top skid assembly, which should be left in place until after the unit is rigged into its final location.

### INSPECT SHIPMENT

File a claim with shipping company if the shipment is damaged or incomplete.

### CONSIDER SYSTEM REQUIREMENTS

Consult local building codes and National Electrical Code (NEC, U.S.A.) for special installation requirements.

Allow sufficient space for airflow clearance, wiring, refrigerant piping, and servicing unit. See Fig. 3 for unit dimensions and Table 4 for weight distribution data.

Locate the unit so that the outdoor coil (condenser) airflow is unrestricted on all sides and above.

The unit may be mounted on a level pad directly on the base channels or mounted on raised pads at support points. See Table 4 for weight distribution based on recommended support points.

NOTE: If vibration isolators are required for a particular installation, use the data in Table 4 to make the proper selection.

## Step 3 — Prepare Unit Mounting Support

### SLAB MOUNT

Provide a level concrete slab that extends a minimum of 6 in. (150 mm) beyond unit cabinet. Install a gravel apron in front of condenser coil air inlet to prevent grass and foliage from obstructing airflow.

### Rig and Mount the Unit

#### ⚠ CAUTION

##### UNIT DAMAGE HAZARD

Failure to follow this caution may result in equipment damage.

All panels must be in place when rigging. Unit is not designed for handling by fork truck when packaging is removed.

If using top crate as spreader bar, once unit is set, carefully lower wooden crate off building roof top to ground. Ensure that no people or obstructions are below prior to lowering the crate.

### RIGGING

These units are designed for overhead rigging. Refer to the rigging label for preferred rigging method. Spreader bars are not required if top crating is left on the unit. All panels must be in place when rigging. As further protection for coil faces, plywood sheets may be placed against the sides of the unit, behind cables. Run cables to a central suspension point so that the angle from the horizontal is not less than 45 degrees. Raise and set the unit down carefully.

If it is necessary to roll the unit into position, mount the unit on longitudinal rails, using a minimum of 3 rollers. Apply force to the rails, not the unit. If the unit is to be skidded into position, place it on a large pad and drag it by the pad. Do not apply any force to the unit.

Raise from above to lift the unit from the rails or pad when unit is in its final position.

After the unit is in position, remove all shipping materials and top crating.

## Step 4 — Determine Refrigerant Line Sizes

Select the recommended line sizes for 569J\*\*\*G/H/M/N and 569J\*\*\*T/U unit from the appropriate tables.

Determine the linear length of interconnecting piping required between the outdoor unit and indoor unit (evaporator). Consider and identify also the arrangement of the tubing path (quantity and type of elbows in both lines), liquid line solenoid size, filter drier and any other refrigeration specialties located in the liquid line. Refer to the indoor unit installation instructions for additional details on refrigeration specialties devices.

Determine equivalent line length adjustments for path and components and add to linear line lengths. See Table 7, Equivalent Lengths for Common Fittings, for usual fitting types. Also identify adjustments for refrigeration specialties.

**Table 7 — Equivalent Lengths for Common Fittings (ft)**

NOMINAL TUBE OD (in.)	ELBOWS				
	90° Std	90° Lrad	90° Street	90° Std	90° Street
3/8	1.3	0.8	2.2	0.6	1.0
1/2	1.4	0.9	2.3	0.7	1.1
5/8	1.6	1.0	2.5	0.8	1.3
3/4	1.8	1.2	2.9	0.9	1.5
7/8	2.0	1.4	3.2	0.9	1.6
1-1/8	2.6	1.7	4.1	1.3	2.1
1-3/8	3.3	2.3	5.6	1.7	3.0
1-5/8	4.0	2.6	6.3	2.1	3.4

NOMINAL TUBE OD (in.)	TEES			
	Branch Flow	Straight-Thru		
		No Reduct	Reduce 25%	Reduce 50%
3/8	2.6	0.8	1.1	1.3
1/2	2.7	0.9	1.2	1.4
5/8	3.0	1.0	1.4	1.6
3/4	3.5	1.2	1.7	1.8
7/8	4.0	1.4	1.9	2.0
1-1/8	5.0	1.7	2.3	2.6
1-3/8	7.0	2.3	3.1	3.3
1-5/8	8.0	2.6	3.7	4.0
2-1/8	10.0	3.3	4.7	5.0

NOTE: Equivalent line lengths will vary based on tube diameter. Calculate equivalent line length for each pipe by adding equivalent length adjustments to linear lengths for each pipe.

Enter the appropriate table to select the recommended line sizes.

MODEL NUMBER POSITION #6	TABLE	QUANTITY OF LINE SETS
569J***G/H/M/N	8	1
569J***T/U	9	2

### LIQUID LIFT

A liquid lift condition exists when the outdoor unit is located below the indoor (evaporator) unit and liquid flows vertically up in a portion of the liquid line. The vertical column of liquid reduces the available state point sub-cooling at the evaporator coil's thermal expansion valve. This effect reduces the length of liquid lift (feet of elevation) that a liquid line size can accommodate. Longer linear tube lengths will also reduce the amount of liquid lift possible.

Check Tables 8 (569J\*\*\*G/H/M/N) and 9 (569J\*\*\*T/U) for maximum liquid lift capabilities for line sizes. Reselect the liquid line tube size if necessary. If maximum available tube size cannot provide the required lift distance on this installation, relocate the outdoor unit to reduce the equivalent line length or the lift requirement.



**Table 8 — 569J\*\*\*G/H/M/N Piping Recommendations (Single-Circuit)<sup>a</sup>**

MODEL & NOMINAL CAPACITY	LINEAR LINE (FT)	0 - 24		25 - 49		50 - 74		75 - 99		100 - 124		125 - 149		150 - 174		175 - 200		
	EQUIV. LINE (FT)	0 - 37		38 - 74		75 - 112		113 - 149		150 - 187		188 - 224		225 - 262		263 - 300		
569J*07G/H TC 68.5, SC 5.57°F	Liquid Line Size (in.)	3/8	3/8	1/2	1/2	5/8	1/2	5/8	1/2	5/8	1/2	5/8	1/2	5/8	1/2	5/8	1/2	5/8
	Liquid PD (°F)	2.0	4.0	0.7	1.1	0.3	1.4	0.4	1.8	0.5	2.1	0.6	2.5	0.7	2.8	0.8	2.8	0.8
	Max Lift (ft)	18	7	34	31	39	44	57	41	57	35	54	31	53	27	52	27	52
	Max Lift PD (F)	3.5	4.6	3.5	3.5	3.5	5.0	5.0	5.0	5.0	4.9	5.0	5.0	5.0	5.0	5.0	5.0	5.0
	Suction Line Size (in.)	7/8	7/8	1-1/8	7/8	1-1/8	7/8	1-1/8	7/8	1-1/8	7/8	1-1/8	1-1/8	1-1/8	1-1/8	1-1/8	1-1/8	1-1/8
	Suction Ln PD (F)	0.9	1.8	0.5	2.7	0.8	3.6	1.0	4.5	1.3	1.6			1.8			2.1	
	Charge (lb)	10.8	11.8	13.7	15.2	18.5	16.9	21.3	18.7	24.2	21.4	27.1	23.4	30.0	25.3	32.8	25.3	32.8
	#/TR	1.90	2.07	2.41	2.67	3.25	2.97	3.74	3.28	4.25	3.8	4.75	4.1	5.26	4.4	5.75	4.4	5.75
569J*08G/H TC 92.0, SC 11.3°F	Liquid Line Size (in.)	1/2	1/2	5/8	1/2	5/8	1/2	5/8	1/2	5/8	1/2	5/8	1/2	5/8	1/2	5/8	1/2	5/8
	Liquid PD (°F)	0.6	1.3	0.3	1.9	0.5	2.5	0.7	3.2	0.9	3.8	1.0	4.4	1.2	5.1	1.4	5.1	1.4
	Max Lift (ft)	25	50	50	75	75	100	100	97	97	90	90	82	121	74	119	74	119
	Max Lift PD (F)	2.7	5.4	4.5	8.1	6.7	10.8	9.0	11.2	8.9	11.2	8.5	11.2	11.2	11.2	11.2	11.2	11.2
	Suction Line Size (in.)	7/8	7/8	1-1/8	7/8	1-1/8	1-1/8		1-1/8	1-3/8	1-1/8	1-3/8	1-1/8	1-3/8	1-1/8	1-3/8	1-1/8	1-3/8
	Suction Ln PD (F)	1.5	3.1	0.8	4.6	1.2	1.6		2.1	0.7	2.5	0.8	2.9	1.0	3.3	1.1	3.3	1.1
	Charge (lb)	15.6	19.0	19.7	20.8	24.1	23.1	26.9	25.1	30.7	26.0	32.8	27.0	34.8	27.9	37.1	27.9	37.1
	#/TR	2.08	2.53	2.63	2.77	3.21	3.08	3.59	3.35	4.09	3.47	4.37	3.60	4.64	3.73	4.95	3.73	4.95
569J*12M/N TC 113.1, SC 7.1°F	Liquid Line Size (in.)	1/2	1/2	5/8	1/2	5/8	1/2	5/8	1/2	5/8	1/2	5/8	5/8		5/8		5/8	
	Liquid PD (°F)	0.9	1.9	0.5	2.8	0.8	3.8	1.0	4.7	1.3	5.7	1.6	1.8		1.8		2.1	
	Max Lift (ft)	25	40	50	28	54	34	68	22	65	11	63	59		55		55	
	Max Lift PD (F)	2.9	5.0	4.5	5.0	5.0	6.5	6.4	6.5	6.4	6.5	6.5	6.4		6.4		6.4	
	Suction Line Size (in.)	7/8	1-3/8	1-3/8	1-1/8	1-3/8	1-1/8	1-3/8	1-1/8	1-3/8	1-1/8	1-3/8	1-1/8	1-3/8	1-1/8	1-3/8	1-1/8	1-3/8
	Suction Ln PD (F)	2.4	1.2	1.2	1.8	0.6	2.4	0.9	3.1	1.1	3.7	1.3	4.3	1.5	4.9	1.7	4.9	1.7
	Charge (lb)	15.7	18.0	20.0	19.8	23.1	21.6	26.1	23.6	29.2	25.5	32.3	34.1	35.3	36.9	38.4	36.9	38.4
	#/TR	1.67	1.89	2.09	2.10	2.45	2.29	2.77	2.50	3.10	2.71	3.43	3.62	3.75	3.92	4.08	3.92	4.08
569J*14M/N TC 146.1, SC 3.9°F	Liquid Line Size (in.)	5/8	5/8	3/4	5/8	3/4	5/8	3/4	5/8	3/4	5/8	3/4	5/8	3/4	5/8	3/4	5/8	3/4
	Liquid PD (°F)	0.4	0.8	0.4	1.2	0.6	1.6	0.8	2.0	1.1	2.4	1.1	2.8	1.5	1.7	0.6	1.7	0.6
	Max Lift (ft)	23	16	23	10	18	28	38	21	36	14	35	9	30	25	43	25	43
	Max Lift PD (F)	1.8	1.84	1.84	1.8	1.8	3.3	3.3	3.3	3.3	3.3	3.3	3.3	3.3	3.3	3.3	3.3	3.3
	Suction Line Size (in.)	1-5/8 <sup>b</sup>	1-5/8 <sup>b</sup>	1-5/8 <sup>b</sup>	1-1/8	1-3/8	1-3/8		1-3/8	1-5/8	1-3/8	1-5/8	1-3/8	1-5/8	1-3/8	1-5/8	1-3/8	1-5/8
	Suction Ln PD (F) (Cap Red)	0.1	0.2	0.2	3.3 (-2.3%)	1.2	1.6		2.0	0.8	2.4 (-0.7%)	1.0	2.8 (-1.4%)	1.2	3.2 (-2.1%)	1.3	3.2 (-2.1%)	1.3
	Charge (lb)	35.1	38.4	40.9	37.6	41.8	41.1	46.1	44.2	51.6	47.3	56.1	50.3	60.6	63.4	76.9	63.4	76.9
	#/TR	3.10	3.99	3.62	3.09	3.44	3.38	3.79	3.64	4.24	3.89	4.61	4.14	4.98	5.21	6.32	5.21	6.32

NOTE(S):

- a. See Legend for Tables 8 and 9 on page 10.
- b. AHRI ratings as listed are only valid with the piping diameters specified.

**Table 9 — 569J\*\*\*T/U Piping Recommendations (Dual-Circuit)<sup>a,b</sup>**

MODEL & NOMINAL CAPACITY	LINEAR LINE (FT)	0 - 24		25 - 49		50 - 74		75 - 99		100 - 124		125 - 149		150 - 174		175 - 200	
	EQUIV. LINE (FT)	0 - 37		38 - 74		75 - 112		113 - 149		150 - 187		188 - 224		225 - 262		263 - 300	
569J*12T/U TC 55.9 Each, SC 12.7°F	Liquid Line Size (in.)	3/8	3/8	3/8		3/8	1/2	3/8	1/2	3/8	1/2	3/8	1/2	1/2	5/8	1/2	5/8
	Liquid PD (°F)	1.4	2.7	5.5		5.5	0.9	6.9	1.1	8.2	1.4	1.6	0.5	1.8	0.5	1.8	0.5
	Max Lift (ft)	25	50	75		82	100	66	125	49	133	130	144	128	144	128	144
	Max Lift PD (F)	3.4	6.8	10.2		12.1	9.0	12.1	11.2	12.1	12.1	12.1	12.1	12.1	12.1	12.1	12.1
	Suction Line Size (in.)	3/4	7/8	7/8		7/8	1-1/8	7/8	1-1/8	1-1/8		1-1/8		1-1/8		1-1/8	
	Suction Ln PD (F) (Cap Red)	1.4	1.2	1.8		2.5 (-0.8%)	0.8	3.1 (-1.9%)	0.9	1.1		1.3		1.5		1.5	
	Charge (lb)	9.0	10.0	11.0		12.1	15.7	13.1	17.7	14.9	19.6	21.5	28.2	23.5	31.0	23.5	31.0
	#/TR	0.73	0.81	0.89		0.97	1.27	1.05	1.42	1.20	1.58	1.74	2.27	1.89	2.50	1.89	2.50
569J*14T/U TC 69.8 Each, SC 14.2°F	Liquid Line Size (in.)	3/8	3/8	3/8		3/8	1/2	3/8	1/2	1/2		1/2	5/8	1/2	5/8	1/2	5/8
	Liquid PD (°F)	2.1	4.1	6.2		8.2	1.5	10.3	1.8	2.2	2.6	0.7	2.9	0.8	2.9	0.8	2.9
	Max Lift (ft)	25	50	75		69	155	42	125	145	140	163	135	162	135	162	135
	Max Lift PD (F)	4.0	8.1	12.1		13.6	9.4	13.6	11.7	13.6	13.6	13.6	13.6	13.6	13.6	13.6	13.6
	Suction Line Size (in.)	1-3/8 <sup>c</sup>	1-3/8 <sup>c</sup>	7/8	1-1/8	1-1/8		1-1/8		1-1/8		1-1/8		1-1/8		1-1/8	
	Suction Ln PD (F) (Cap Red)	0.3	0.6	2.9 (-1.5%)	0.8	1.1		1.4		1.6		1.9		2.2 (-0.3%)		0.7	
	Charge (lb)	16.5	17.9	19.0	19.5	20.6	23.7	21.8	25.7	27.6	29.5	36.2	31.5	39.0	31.5	39.0	31.5
	#/TR	1.44	1.56	1.52	1.56	1.65	1.90	1.74	2.05	2.21	2.36	2.89	2.52	3.12	2.52	3.12	2.52

NOTE(S):

- a. See Legend for Tables 8 and 9 on page 10.
- b. 569J\*\*\*T/U units require TWO sets of refrigeration piping.
- c. AHRI ratings as listed are only valid with the piping diameters specified.

LEGEND FOR TABLES 8 AND 9

- #/TR — Charge to unit capacity ratio, lbs per ton (at 45°F SST, 95°F ODA)
- Cap Red — Capacity reduction caused by suction line pressure drop GT 2°F
- Liquid PD (°F) — Liquid line pressure drop, saturated temperature, °F
- Max Lift — Maximum liquid lift (Indoor unit ABOVE outdoor unit only), at maximum permitted pressure drop.
- Max Lift PD (F) — Pressure drop including Maximum liquid lift value
- SC — Sub-cooling, °F (at liquid line valve)

**Suction Riser**

A suction riser condition exists when the outdoor unit is located above the indoor (evaporator) unit and suction vapor must flow vertically up to return to the compressor. Oil return is a concern when the suction tube size is too large to produce the minimum refrigerant velocity to ensure oil return at minimum load conditions.

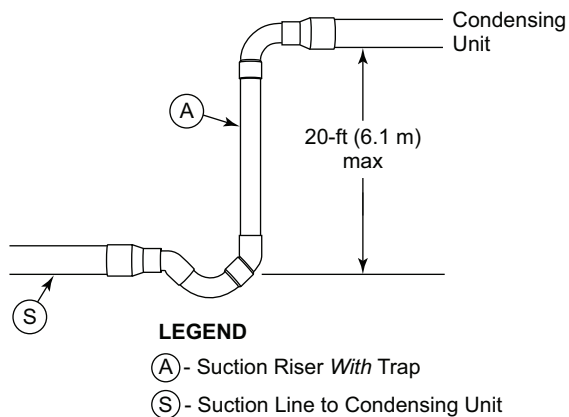
Check Table 10 for maximum suction tube size for 569J units at minimum load conditions. Consider suction speed riser (reduced tube size for vertical segment only) or double suction riser arrangement if the planned suction tube size does not provide necessary minimum flow-rates for this riser.

**Table 10 — 569J Maximum Suction Pipe Size**

MODEL	UNIT SIZE	MAXIMUM TUBE SIZE (in.)
569J***G/H	07	1-1/8
	08	1-1/8
569J***M/N	12	1-5/8
	14	2-1/8
569J***T/U	12	1-3/8
	14	1-5/8

**OUTDOOR UNIT ABOVE EVAPORATOR COIL**

This installation will have at least one suction riser segment. If the vertical elevation difference is less than 20 ft (6.1 m) linear feet and requires only one or two segments, consider a speed riser selection for Circuit 1; use the line marked VAPOR RISER REQUIRED; NOT GREATER THAN 20 FT (6.1 M). See Fig. 5. Tube S is the horizontal line size; tube A is the reduced diameter riser size.



**Fig. 5 — Suction Line Piping — Speed Riser**

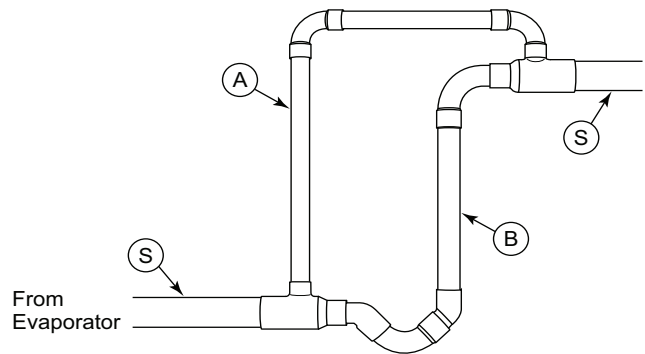
If the vertical elevation difference is greater than 20 ft (6.1 m) linear feet or requires more than two short lift segments, select the Circuit 1 suction line size from Double Suction Riser lines data under VAPOR RISER GREATER THAN 20 FT (6.1 m). See Fig. 6. Tube S is the horizontal line size. Tube A is the reduced diameter riser size without bottom trap; Tube B is the parallel riser size with bottom oil trap.

**Outdoor Unit BELOW Evaporator Coil and No Vertical Riser Segments**

Select Circuit 1 suction line size from NO VAPOR RISER line.

**Vertical Separation (outdoor unit above indoor unit)**

Vertical elevation difference of 200 ft (60 m) is permitted when the outdoor unit (569J\*\*\*G/H/M/N or 569J\*\*\*T/U) is located above the indoor unit.



**LEGEND**

- (A) - Suction Riser Without Trap
- (B) - Suction Riser With Trap
- (S) - Suction Line to Condensing Unit

**Fig. 6 — Suction Line Piping — Double Riser**

**Step 5 — Complete Refrigerant Piping Connections**

**IMPORTANT: DO NOT BURY REFRIGERANT LINES.**

**IMPORTANT: A refrigerant receiver is not provided with the unit. Do not install a receiver.**

**PROVIDE SAFETY RELIEF**

If local codes dictate an additional safety relief device, purchase locally and install locally. Installation will require the recovery of the factory shipping charge before the factory tubing can be cut and the supplemental relief device is installed.

Model 569J\*\*\*T/U has two separate refrigeration systems. If required, each circuit will require a field-supplied/installed supplemental relief device.

**CHECK 569J MODEL WITH EVAPORATOR COIL CONNECTIONS**

Confirm before installation of unit that the evaporator coil connections are consistent with this 569J model. See Table 3 on page 3.

**INSULATE SUCTION LINES**

Apply closed-cell tubular insulation to all suction lines between evaporator coil connection and 569J unit's suction service valve.

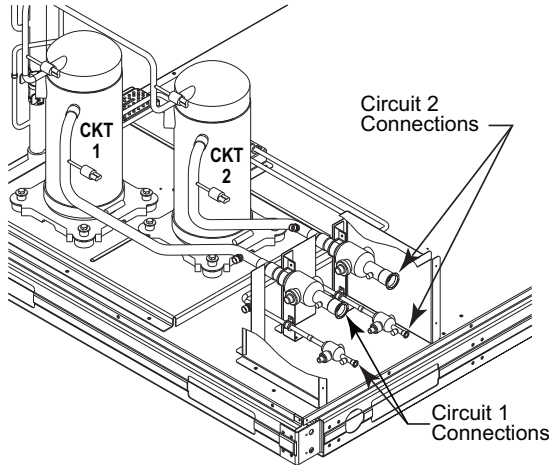
**569J\*\*\*T/U PIPING CONNECTIONS**

The 569J\*\*\*T/U unit's two circuits are designated Circuit 1 and Circuit 2. Circuit 1 is controlled by the thermostat's Y1 and Y3 contact and will be the first circuit on and last circuit off. Circuit 2 is controlled by the thermostat's Y2 (or TC2) contact and this circuit is always the "lag" circuit.

See Fig. 7 for location of Circuit 1 and Circuit 2 service valves and field piping connections. Circuit 1 is on the right-hand side of the service valve compartment; Circuit 2 is on the left.

When a single piece evaporator coil with two separate circuits is connected to a 569J\*\*\*T/U, the lower coil circuit should be

connected to the 569J\*\*\*T/U unit's Circuit 1 so that the evaporator's lower coil segment is first-on/last-off (to avoid re-evaporation of condensate on dry lower coil segments).



**Fig. 7 — 569J\*\*\*T/U Service Valve Locations**

Plan the Circuit 1 and Circuit 2 tubing segments carefully, mark each segment and check constantly as piping systems are assembled to avoid piping errors.

The 569J\*\*\*T/U unit cannot be field-piped as a single-circuit/tandem system.

**FINAL TUBING CHECK — 569J\*\*\*T/U**

Before completing the field piping connections to the 569J\*\*\*T/U unit service valves, confirm that the suction line to the indoor coil's first-on/last-off circuit (and its companion liquid line) are correctly identified as Circuit 1 use for the 569J\*\*\*T/U unit. If a suction riser is required, it must be in Circuit 1.

**Connecting 524J to 569J\*\*\*T/U**

The 524F (sizes 07-12) and the 524J (size 14) fan coils are a face-split coil design that also has its circuits designated as 1 and 2. See Table 11 and Fig. 8. Note that the lower coil segment changes as the arrangement of the 524F/J changes. In a vertical arrangement, the 524J unit's lower coil segment is segment 2; this segment should be connected to the 569J\*\*\*T/U unit's Circuit 1. In a horizontal arrangement, the 524F/J unit's lower segment is now segment 1; this segment should be connected to the 569J\*\*\*T/U unit's Circuit 1.

Note that refrigerant suction piping should be insulated.

**Table 11 — 524F/J Arrangement Details**

524F/J ARRANGEMENT	COOLING STAGE	524F/524J COIL SEGMENT	CONNECT TO 569J***T/U
Vertical	Y1, Y2, and Y3	2	Circuit 1
	Y2 and Y3	1	Circuit 2
Horizontal	Y2 and Y3	1	Circuit 1
	Y1, Y2, and Y3	2	Circuit 2

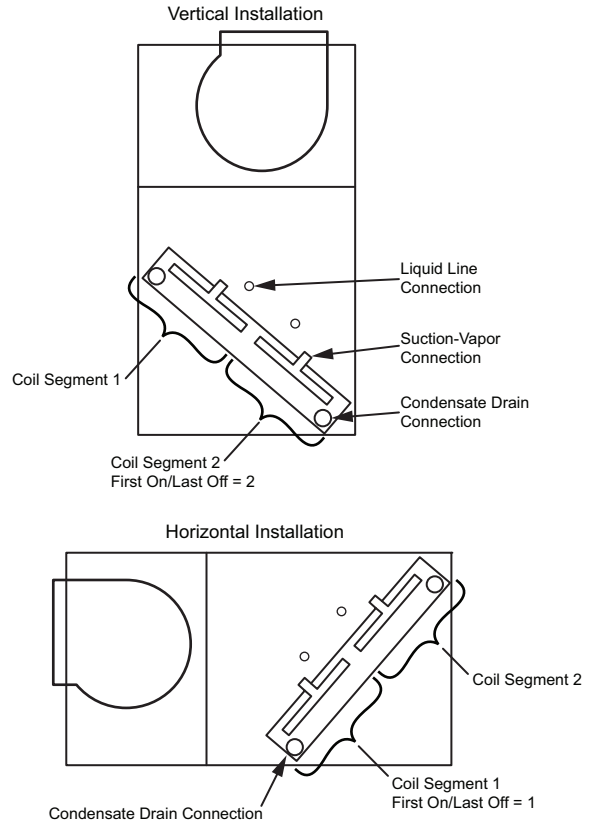
**INSTALL FILTER DRIER(S) AND MOISTURE INDICATOR(S)**

Every unit MUST have a filter drier in the liquid line. 569J\*\*\*T/U models require two filter driers (one in each liquid line). Locate the filter drier(s) at the indoor unit, close to the evaporator coil's thermal expansion valve (TXV) inlets.

The 569J units include one (569J\*\*\*G/H/M/N) or two (569J\*\*\*T/U) Puron-duty filter drier(s), shipped in cartons attached to the unit basepan (see Table 12). Remove the filter drier(s) and prepare to install in the liquid line(s) at the evaporator coil. Do not remove connection fitting plugs until ready to connect and braze the filter drier into the liquid line position.

Installation of liquid line moisture indicating sight glass in each circuit is recommended. Locate the sight glass(es) between the outlet of the filter drier and the TXV inlet.

Refer to Table 13 for recommendations on refrigeration specialties.



**Fig. 8 — Typical Evaporator Coil Connections (524F/J)**

**Table 12 — Puron-Duty Filter Drier(s)**

MODEL SIZE	QTY	LIQUID LINE OD (in.)	DESICCANT VOLUME	PART NUMBER REF.
569J*07G/H	1	1/2	8 cu in.	KH43LG091
569J*08G/H	1	1/2	16 cu in.	KH43LG085
569J*12M/N	1	1/2	16 cu in.	KH43LG085
569J*14M/N	1	1/2	30 cu in.	KH43LG087
569J*12T/U	2	3/8	8 cu in.	KH43LG091
569J*14T/U	2	1/2	16 cu in.	KH43LG085

**Table 13 — Refrigerant Specialties Part Numbers**

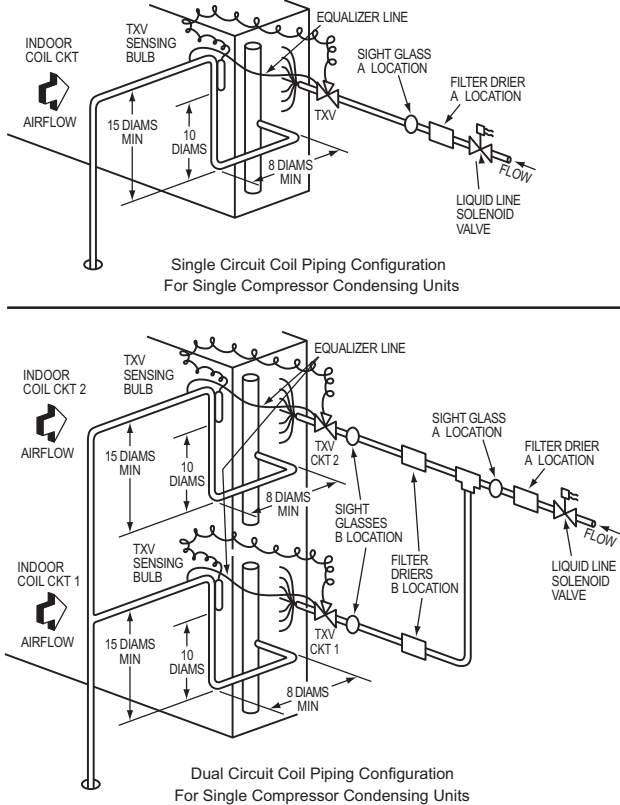
LIQUID LINE SIZE (in.)	LIQUID LINE SOLENOID VALVE (LLSV)	LLSV COIL	SIGHT GLASS	FILTER DRIER
3/8	EF680033	EF680037	KM680008	Provided with unit, see Table 12
1/2	EF680035	EF680037	KM680004	
5/8	EF680036	EF680037	KM680005	

In some applications, depending on space and convenience requirements, it may be desirable to install 2 filter driers and sight glasses in a single circuit application. One filter drier and sight glass may be installed at A locations (see Fig. 9) or 2 filter driers and sight glasses may be installed at B locations (see Fig. 9 and 10).

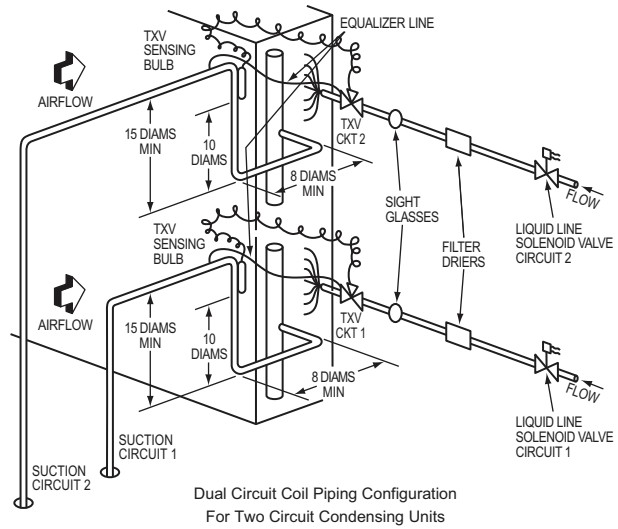
Select the filter drier for maximum unit capacity and minimum pressure drop. Complete the refrigerant piping from the indoor unit to the outdoor unit before opening the liquid and suction lines at the outdoor unit.

### INSTALL LIQUID LINE SOLENOID VALVE

It is recommended that a solenoid valve be placed in the main liquid line (see Fig. 9 and 10) between the condensing unit and the evaporator coil. Locate the solenoid valve at the outlet end of the liquid line, near the evaporator coil connections, with flow direction arrow pointed at the evaporator coil. Refer to Table 13. (A liquid line solenoid valve is required when the liquid line length exceeds 75 ft [23 m].) This valve prevents refrigerant migration (which causes oil dilution) to the compressor during the off cycle, at low outdoor ambient temperatures. Wire the solenoid in parallel with the compressor contactor coil (see Fig. 9 and 10). This means of electrical control is referred to as solenoid drop control.



**Fig. 9 — Location of Sight Glass(es) and Filter Driers Typical 569J\*\*\*G/H/M/N Systems**



**Fig. 10 — Location of Sight Glasses and Filter Driers Typical 569J\*\*\*T/U Systems**

### Solenoid Drop Control Wiring

Control the power to the liquid line solenoid through a Solenoid Valve Relay (SVR) in all units. Use part number HN61PC005 (field-supplied, installed). 569J\*\*\*G/H/M/N unit requires one SVR; 569J\*\*\*T/U unit requires two relays.

A unit with two liquid line solenoid valves also requires a separate control power transformer for the liquid solenoid valve loads. Select TRAN3 transformer part number according to unit power supply.

MODEL	QTY LSV	RELAY SVR QTY - PART NUMBER	TRAN3 PRIMARY V: PART NUMBER
569J***G/H/M/N	1	1 — HN61PC005	N/R
	2	2 — HN61PC005	208/230V: HT01BD202
569J***T/U	2	2 — HN61PC005	460V: HT01BD702
			575V: HT01BD902

### LEGEND

- LSV — Liquid Solenoid Valve
- SVR — Solenoid Valve Relay
- N/R — Not Required

Mount the SVR (and transformer TRAN3 when used) in unit control box. Connect per wiring schematic label on unit.

### Evaporator Capacity Control Liquid Line Solenoid Valve

Many older unit designs included automatic capacity controls that sensed changes in suction pressure and could increase or decrease compressor capacity automatically as the evaporator load changed. Control systems were used on these units that had the thermostat's second stage contacts control a capacity control liquid line solenoid valve to open or shutoff a portion of the evaporator surface without any direct connection to the compressor circuit.

This form of system capacity staging control is not possible with 569J models. If this installation is a retrofit for a unit that included automatic pressure-operated unloading, check the existing thermostat and liquid solenoid valve. When found, convert the evaporator second stage solenoid control into a drop-solenoid control. Use the two SVR relays and transformer as required on 569J\*\*\*T/U models (above); wire the SVRs and transformer per two solenoid valve systems.

## SELECTING AN ACCUMULATOR

Because all 569J models use scroll compressors, an accumulator is not required. If an accumulator is to be added, check the accumulator manufacturer's literature carefully for indication of its suitability for use with R-410A; look for minimum working pressure of 200 psig (1380 kPa). Select the accumulator first on the basis of its cataloged minimum capacity (tons) to ensure oil return from the accumulator, then on tube size or holding capacity.

## MAKE PIPING CONNECTIONS

Piping connections at the 569J unit are ball valves with stub tube extensions. Do not open the unit service valves until all interconnecting tube brazing has been completed. The stub tube connections include 1/4-in. SAE service fittings with Schrader valve cores (see Fig. 11). Before making any brazed connections to the unit service valves, remove both Schrader valve caps and cores and save for re-installation. Connect a source for nitrogen to one of these service fittings during tube brazing to prevent the formation of copper oxides inside the tubes at brazed joints.

When connecting the field tubing to the 569J service valves, wrap the valves in wet rags to prevent overheating.

Pressure-test all joints from outdoor unit connections over to the evaporator coil, using nitrogen as pressure and with soap-and-bubbles.

When pressure-testing is completed, remove the nitrogen source at the outdoor unit service valves and re-install the two Schrader valve cores. Torque the cores to 2 to 3 in-lbs (23 to 34 N-cm).

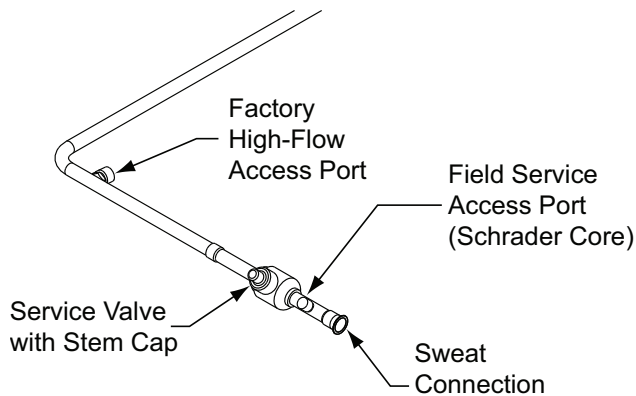


Fig. 11 — Typical Piping Connection Assembly

## EVACUATION/DEHYDRATION

Evacuate and dehydrate the connected refrigeration system(s) (excluding the 569J unit) to 500 microns using a two-stage vacuum pump attached to the service ports outside the 569J service valves, following description in GTAC II, Module 4, System Dehydration.

### ⚠ WARNING

#### UNIT OPERATION AND SAFETY HAZARD

Failure to follow this warning could cause personal injury, death and/or equipment damage.

R-410A refrigerant systems operate at higher pressures than standard R-22 systems. Do not use R-22 service equipment or components on R-410A refrigerant equipment.

This unit is designed for use with Puron (R-410A) refrigerant. Do not use any other refrigerant in this system.

Puron (R-410A) refrigerant is provided in pink (rose) colored cylinders. These cylinders are available with and without dip

tubes; cylinders with dip tubes will have a label indicating this feature. For a cylinder with a dip tube, place the cylinder in the upright position (access valve at the top) when removing liquid refrigerant for charging. For a cylinder without a dip tube, invert the cylinder (access valve on the bottom) when removing liquid refrigerant.

Because Puron (R-410A) refrigerant is a blend, it is strongly recommended that refrigerant always be removed from the cylinder as a liquid. Admit liquid refrigerant into the system in the discharge line. If adding refrigerant into the suction line, use a commercial metering/expansion device at the gauge manifold; remove liquid from the cylinder, pass it through the metering device at the gauge set and then pass it into the suction line as a vapor. Do not remove Puron (R-410A) refrigerant from the cylinder as a vapor.

## PRELIMINARY CHARGE

Before starting the unit, charge R-410A liquid refrigerant into the high side of each 569J circuit through the liquid service valve(s). The amount of refrigerant added must be at least 80% of the operating charge listed in Tables 5 or 6 for LINEAR line length LESS the factory charge quantity (if factory shipping charge has not been removed). See example below.

Allow high and low side pressures to equalize. If pressures do not equalize readily, charge R-410A vapor (using special service manifold with expansion device) into the suction line service port for the low side of system to assure charge in the evaporator. Refer to GTAC II, Module 5, Charging, Recover, Recycling, and Reclamation for liquid charging procedures.

Example:

569J\*12M/N

60 ft (18.3 m) linear line length

Equivalent line length 90 ft (27.4 m)

Liquid Lift: 20 ft (6.1 m)

Select line sizes from Table 8 (569J\*\*\*G/H/M/N):

Liquid 1/2 in.

Suction 1-1/8 in.

Charge 23.1 lb (at 75 ft linear length)

80% of Operating Charge:

$0.80 \times 23.1 = 18.5$  lb

Factory Shipping Charge: 9 lb

Field-Charge quantity:  $18.5 - 9.0 = 9.5$  lb

## Step 6 — Install Accessories

Accessories requiring modifications to unit wiring should be completed now. These accessories may include Winter Start controls and Low Ambient controls. Refer to the instructions shipped with the accessory.

## Step 7 — Complete Electrical Connections

### ⚠ WARNING

#### ELECTRIC SHOCK HAZARD

Failure to follow this warning could result in personal injury or death.

Unit cabinet must have an uninterrupted, unbroken electrical ground to minimize the possibility of personal injury if an electrical fault should occur. This ground may consist of electrical wire connected to unit ground lug in control compartment, or conduit approved for electrical ground when installed in accordance with NEC; ANSI/NFPA 70, latest edition (in Canada, Canadian Electrical Code CSA [Canadian Standards Association] C22.1), and local electrical codes.

NOTE: Check all factory and field electrical connections for tightness. Field-supplied wiring shall conform with the limitations of 63°F (33°C) rise.

### FIELD POWER SUPPLY

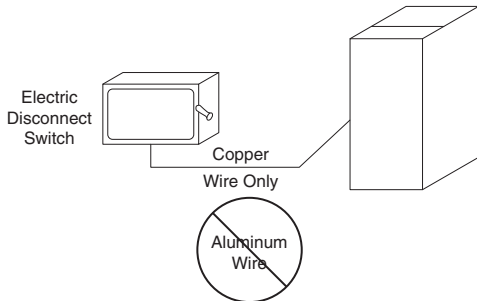
If equipped with optional Powered Convenience Outlet: The power source leads to the convenience outlet's transformer primary are not factory connected. Installer must connect these leads according to required operation of the convenience outlet. If an always-energized convenience outlet operation is desired, connect the source leads to the line side of the unit-mounted disconnect. (Check with local codes to ensure this method is acceptable in your area.) If a de-energize via unit disconnect switch operation of the convenience outlet is desired, connect the source leads to the load side of the unit disconnect. On a unit without a unit-mounted disconnect, connect the source leads to compressor contactor C and indoor fan contactor IFC pressure lugs with unit field power leads.

Field power wires are connected to the unit at line-side pressure lugs on compressor contactor C and TB1 (see wiring diagram label for control box component arrangement) or at factory-installed option non-fused disconnect switch. Max wire size is #4 AWG (copper only).

NOTE: TEST LEADS — Unit may be equipped with short leads (pigtailed) on the field line connection points on contactor C or optional disconnect switch. These leads are for factory run-test purposes only; remove and discard before connecting field power wires to unit connection points. Make field power connections directly to line connection pressure lugs only.

**⚠ WARNING**

**FIRE HAZARD**  
Failure to follow this warning could result in personal injury, death, or property damage.  
Do not connect aluminum wire between disconnect switch and unit. Use only copper wire. See Fig. 12.



**Fig. 12 — Disconnect Switch and Unit**

### UNITS WITH FACTORY-INSTALLED NON-FUSED DISCONNECT

The factory-installed option disconnect switch is located in a weatherproof enclosure located under the main control box. The manual switch handle is accessible through an opening in the access panel.

### UNITS WITHOUT FACTORY-INSTALLED NON-FUSED DISCONNECT

When installing units, provide a disconnect switch per NEC (National Electrical Code) of adequate size. Disconnect sizing data is provided on the unit informative plate. Locate on unit cabinet or within sight of the unit per national or local codes. Do not cover unit informative plate if mounting the disconnect on the unit cabinet.

### ALL UNITS

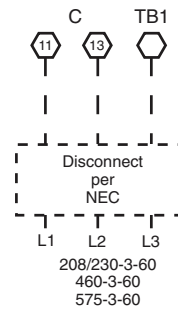
All field wiring must comply with NEC and all local codes. Size wire based on MCA (Minimum Circuit Amps) on the unit informative plate. See Fig. 13 for power wiring connections to the unit contactor and terminal block and equipment ground.

Provide a ground-fault and short-circuit over-current protection device (fuse or breaker) per NEC Article 440 (or local codes). Refer to unit informative data plate for MOCP (Maximum Over-current Protection) device size.

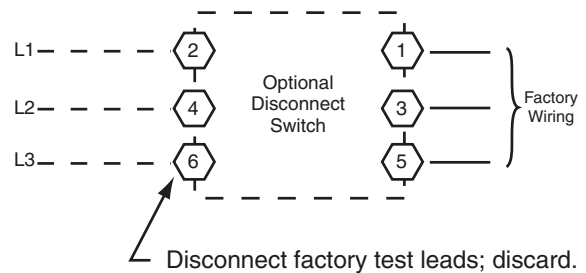
All units except 208/230-v units are factory wired for the voltage shown on the nameplate. If the 208/230-v unit is to be connected to a 208-v power supply, the control transformer must be rewired by moving the black wire with the 1/4-in. female spade connector from the 230-v connection and moving it to the 208-v 1/4-in. male terminal on the primary side of the transformer. Refer to unit label diagram for line-side information.

Affix the crankcase heater warning sticker to the unit disconnect switch.

### Units Without Disconnect Option



### Units With Disconnect Option



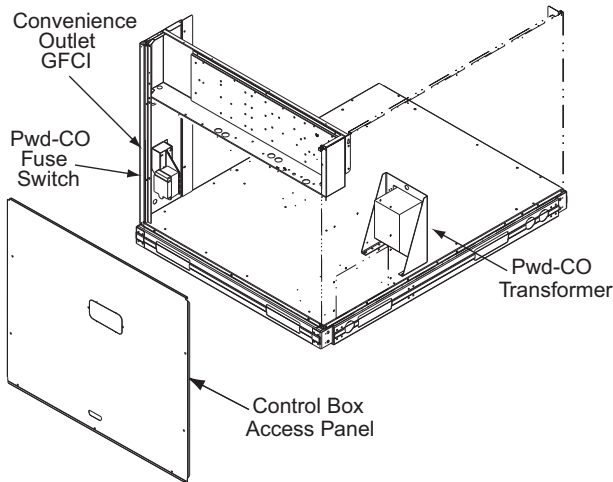
**Fig. 13 — Power Wiring Connections**

### CONVENIENCE OUTLETS

**⚠ WARNING**

**ELECTRICAL OPERATION HAZARD**  
Failure to follow this warning could result in personal injury or death.  
Units with convenience outlet circuits may use multiple disconnects. Check convenience outlet for power status before opening unit for service. Locate its disconnect switch, if appropriate, and open it. Lock-out and tag-out this switch, if necessary.

Two types of convenience outlets are offered on 569J models: Non-powered and unit-powered. Both types provide a 125-volt GFCI (ground-fault circuit-interrupter) duplex receptacle rated at 15-A behind a hinged waterproof access cover, located on the end panel of the unit. See Fig. 14.



**Fig. 14 — Convenience Outlet Location**

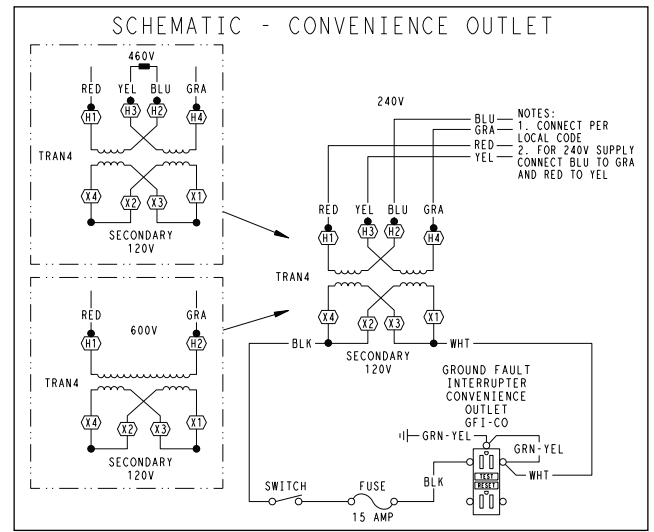
**Non-Powered Type**

This type requires the field installation of a general-purpose 125-volt 15-A circuit powered from a source elsewhere in the building. Observe national and local codes when selecting wire size, fuse or breaker requirements and disconnect switch size and location. Route 125-v power supply conductors into the bottom of the utility box containing the duplex receptacle. Maximum continuous current for this type of convenience outlet (non-unit powered) must not exceed 8 Amps.

**Unit-Powered Type**

A unit-mounted transformer is factory-installed to step down the main power supply voltage to the unit to 115-v at the duplex receptacle. This option also includes a manual switch with fuse, located in a utility box and mounted on a bracket behind the convenience outlet; access is through the unit's control box access panel. See Fig. 14.

The primary leads to the convenience outlet transformer are not factory-connected. Selection of primary power source is a customer-option. If local codes permit, the transformer primary leads can be connected at the line-side terminals on the unit-mounted non-fused disconnect switch; this will provide service power to the unit when the unit disconnect switch is open. Other connection methods will result in the convenience outlet circuit being de-energized when the unit disconnect switch is open. See Fig. 15.



UNIT VOLTAGE	CONNECT AS	PRIMARY CONNECTIONS	TRANSFORMER TERMINALS
208, 230	240	L1: RED + YEL L2: BLU + GRA	H1 + H3 H2 + H4
460	480	L1: RED L2: Splice BLU + YEL L2: GRA	H1 H2 + H3 H4
575	600	L1: RED L2: GRA	H1 H2

**Fig. 15 — Powered Convenience Outlet Wiring**

The unit-powered convenience outlet has a 1000 VA rated transformer. Maximum continuous current must not exceed 8 Amps.

Test the GFCI receptacle by pressing the TEST button on the face of the receptacle to trip and open the receptacle. Check for proper grounding wires and power line phasing if the GFCI receptacle does not trip as required. Press the RESET button to clear the tripped condition.

Fuse on power type: The factory fuse is a Bussman<sup>1</sup> "Fusetron" T-15, non-renewable screw-in (Edison base) type plug fuse.

**⚠ WARNING**

**ELECTRICAL OPERATION HAZARD**

Failure to follow this warning could result in personal injury or death.

Using unit-mounted convenience outlets: Units with unit-mounted convenience outlet circuits will often require that two disconnects be opened to de-energize all power to the unit. Treat all units as electrically energized until the convenience outlet power is also checked and de-energization is confirmed. Observe National Electrical Code Article 210, Branch Circuits, for use of convenience outlets.

1. Bussmann and Fusetron are trademarks of Cooper Technologies Company.

### Installing Weatherproof Cover

A weatherproof while in use cover for the factory installed convenience outlets is now required by UL standards. This cover cannot be factory mounted due its depth; it must be installed at unit installation. For shipment, the convenience outlet is covered with a blank cover plate.

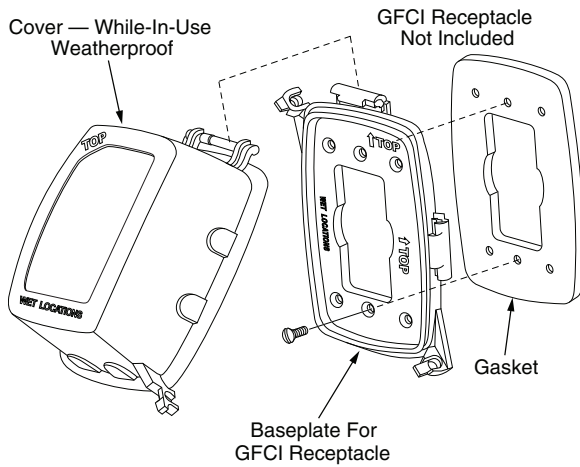
The weatherproof cover kit is shipped in the unit's control box. The kit includes the hinged cover, a backing plate and gasket.

**DISCONNECT ALL POWER TO UNIT AND CONVENIENCE OUTLET.**

Remove the blank cover plate at the convenience outlet; discard the blank cover.

Loosen the two screws at the GFCI duplex outlet, until approximately 1/2-in. (13 mm) under screw heads are exposed. Press the gasket over the screw heads. Slip the backing plate over the screw heads at the keyhole slots and align with the gasket; tighten the two screws until snug (do not overtighten).

Mount the weatherproof cover to the backing plate as shown in Fig. 16. Remove two slot fillers in the bottom of the cover to permit service tool cords to exit the cover. Check for full closing and latching.



**Fig. 16 — Weatherproof Cover Installation**

### ALL UNITS

Voltage to compressor terminals during operation must be within voltage range indicated on unit nameplate. See Tables 14-17 (on pages 18-19). On 3-phase units, voltages between phases must be balanced within 2% and the current within 10%. Use the formula shown in the legend for Tables 14-17, Note 4 (see page 19) to determine the percent of voltage imbalance. Operation on improper line voltage or excessive phase imbalance constitutes abuse and may cause damage to electrical components. Such operation would invalidate any applicable Bryant warranty.

### FIELD CONTROL WIRING

The 569J unit control voltage is 24 v. See Appendix B Wiring Diagrams (on pages 35-46) for typical field control connections and the unit's label diagram for field-supplied wiring details. Route control wires to the 569J unit through the opening in unit's end panel to the connections terminal board in the unit's control box.

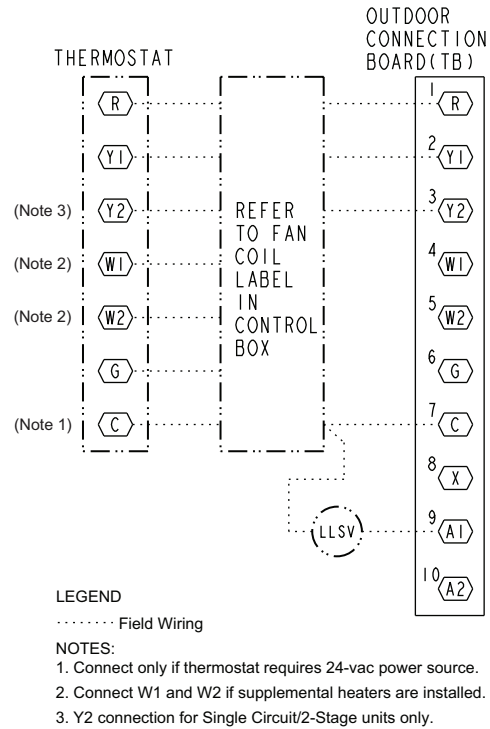
Remainder of the system controls connection will vary according to the specific construction details of the indoor section (air handler or packaged fan coil). Figures 17 (569J\*\*\*G/H/M/N)

and 18 (569J\*\*\*T/U) depict typical connections to a Bryant 524F/J fan coil unit. Plan for field connections carefully and install control wiring correctly per the project plan. Additional components and supplemental transformer accessory may be required.

The 569J unit requires an external temperature control device. This device can be a thermostat (field-supplied).

### THERMOSTAT

Install a Bryant-approved accessory thermostat according to installation instructions included with the accessory. For typical thermostat connections see Fig. 17 (569J\*\*\*G/H/M/N) and 18 (569J\*\*\*T/U). Locate the thermostat accessory on a solid wall in the conditioned space to sense average temperature in accordance with the thermostat installation instructions.



**Fig. 17 — Single Circuit Thermostat Connections — 569J\*\*\*G/H/M/N**

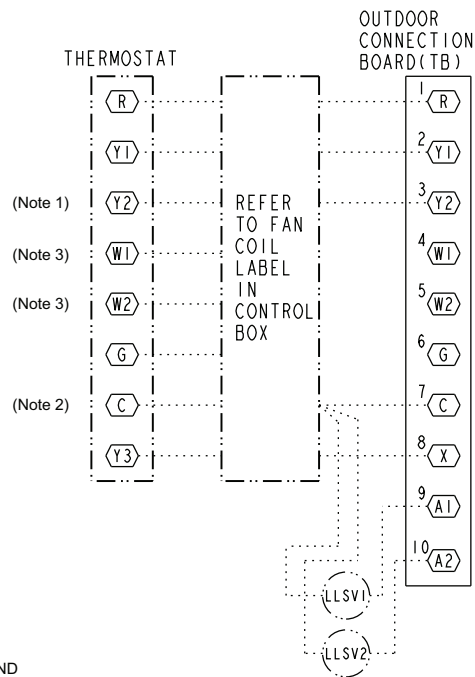
569J\*\*\*G/H/M/N is a single circuit, two-stage cooling unit. Select a two-stage cooling thermostat.

The 569J\*\*\*T/U is a dual-circuit, three-stage cooling unit. Select a three-stage cooling thermostat.

Select a thermostat cable or equivalent single leads of different colors with minimum of five leads for 569J\*\*\*T/U or 569J\*\*\*G/H/M/N unit. Check the thermostat installation instructions for additional features which might require additional conductors in the cable.

For wire runs up to 50 ft (15 m), use no. 18 AWG (American Wire Gage) insulated wire (35°C minimum). For 50 to 75 ft. (15 to 23 m), use no. 16 AWG insulated wire (35°C minimum). For over 75 ft (23 m), use no. 14 AWG insulated wire (35°C minimum). All wire sizes larger than no. 18 AWG cannot be directly connected to the thermostat and will require a junction box and splice at the thermostat.





LEGEND  
 ..... Field Wiring

- NOTES:
1. Typical multi-function marking. Follow manufacturer's configuration instructions to select Y2.
  2. Connect only if thermostat requires 24-vac power source.
  3. Connect W1 and W2 if supplemental heaters are installed.

**Fig. 18 — Dual Circuit Thermostat Connections —  
 569J\*\*\*T/U**

**EXTERNAL DEVICES**

The 569J control transformers provide 24-v NEC Class 2 power sources to energize external control devices. These devices will include the indoor fan motor contactor (or control relay) or unit control board in the fan coil unit. These devices may also include liquid line solenoid valve (two on 569J\*\*\*T/U model), economizer control relay, supplemental electric heater contactors or control relays and other devices selected by system designer.

Control transformer TRAN1 provides control power through terminal R to C on the field connection terminal strip TB for supply fan motor interlock. This source may also be used to energize economizer control relay and electric heater contactors or relays. Maximum available power is 20 va. Check concurrent loadings by external control devices. If the maximum concurrent loading exceeds 20 va, purchase and install the accessory Transformer-Relay package (available for 208/230 and 460-v units).

**569J\*\*\*T/U Only**

Control transformer TRAN3 provides control power through terminals A1 (9) and A2 (10) to C for liquid line solenoids. Maximum available power is 75 va. These outputs are switched ON/OFF by the Solenoid Valve Relays.

**Table 14 — 569J\*07-14 Single Circuit Electrical Data without Powered Convenience Outlet<sup>a</sup>**

UNIT SIZE	NUMBER OF STAGES	NOMINAL POWER SUPPLY V-Ph-Hz	VOLTAGE RANGE		COMPRESSOR				OFM		POWER SUPPLY		DISCONNECT SIZE	
					No. 1		No. 2							
			Min	Max	RLA	LRA	RLA	LRA	Qty	FLA (ea)	MCA	Fuse or HACR Brkr	FLA	LRA
569J*07G	2	575-3-60	518	633	6.3	55	—	—	2	0.7	10	15	9	59
	2	208/230-3-60	187	253	17.5	136	—	—	2	1.5	25/25	30/30	24/24	142/142
	2	460-3-60	414	506	8.4	66	—	—	2	0.8	13	20	12	70
569J*08G	2	575-3-60	518	633	9.9	78	—	—	2	0.7	14	20	13	82
	2	208/230-3-60	187	253	26.8	164	—	—	2	1.5	37/37	60/60	34/34	170/170
	2	460-3-60	414	506	12.6	100	—	—	2	0.8	18	25	16	104
569J*12M	2	575-3-60	518	633	11.4	94	—	—	2	0.7	16	25	15	98
	2	208/230-3-60	187	253	33.2	240	—	—	2	1.5	45/45	60/60	42/42	246/246
	2	460-3-60	414	506	15.1	130	—	—	2	0.8	21	30	19	134
569J*14M	2	575-3-60	518	633	6.6	55	6.6	55	2	0.7	17	20	17	114
	2	208/230-3-60	187	253	19.6	136	19.6	136	2	1.5	48/48	60/60	49/49	278/278
	2	460-3-60	414	506	8.2	66	8.2	66	2	0.8	21	25	21	136

NOTE(S):

a. See Legend and Notes for Tables 14-17

**Table 15 — 569J\*07-14 Single Circuit Electrical Data with Powered Convenience Outlet<sup>a</sup>**

UNIT SIZE	NUMBER OF STAGES	NOMINAL POWER SUPPLY V-Ph-Hz	VOLTAGE RANGE		COMPRESSOR				OFM		POWER SUPPLY		DISCONNECT SIZE	
					No. 1		No. 2							
			Min	Max	RLA	LRA	RLA	LRA	Qty	FLA (ea)	MCA	Fuse or HACR Brkr	FLA	LRA
569J*07G	2	575-3-60	518	633	6.3	55	—	—	2	0.7	11	15	11	61
	2	208/230-3-60	187	253	17.5	136	—	—	2	1.5	30/30	45/45	29/29	147/147
	2	460-3-60	414	506	8.4	66	—	—	2	0.8	15	20	14	72
569J*08G	2	575-3-60	518	633	9.9	78	—	—	2	0.7	16	25	15	84
	2	208/230-3-60	187	253	26.8	164	—	—	2	1.5	42/42	60/60	40/40	175/175
	2	460-3-60	414	506	12.6	100	—	—	2	0.8	20	30	19	106
569J*12M	2	575-3-60	518	633	11.4	94	—	—	2	0.7	18	25	17	100
	2	208/230-3-60	187	253	33.2	240	—	—	2	1.5	50/50	60/60	47/47	251/251
	2	460-3-60	414	506	15.1	130	—	—	2	0.8	23	30	22	136
569J*14M	2	575-3-60	518	633	6.6	55	6.6	55	2	0.7	18	20	19	116
	2	208/230-3-60	187	253	19.6	136	19.6	136	2	1.5	52/52	60/60	54/54	283/283
	2	460-3-60	414	506	8.2	66	8.2	66	2	0.8	23	30	23	138

NOTE(S):

a. See Legend and Notes for Tables 14-17

**Table 16 — 569J\*12-14 Two Circuit Electrical Data without Powered Convenience Outlet<sup>a</sup>**

UNIT SIZE	NUMBER OF STAGES	NOMINAL POWER SUPPLY V-Ph-Hz	VOLTAGE RANGE		COMPRESSOR				OFM		POWER SUPPLY		DISCONNECT SIZE	
					No. 1		No. 2							
			Min	Max	RLA	LRA	RLA	LRA	Qty	FLA (ea)	MCA	Fuse or HACR Brkr	FLA	LRA
569J*12T	3	575-3-60	518	633	6.4	48	5.8	39	2	0.7	16	20	16	91
	3	208/230-3-60	187	253	16.4	110	15.6	110	2	1.5	40/40	50/50	40/40	226/226
	3	460-3-60	414	506	6.8	55	7.7	52	2	0.8	18	25	19	111
569J*14T	3	575-3-60	518	633	6.6	55	6.6	55	2	0.7	17	20	17	114
	3	208/230-3-60	187	253	17.5	136	19.6	136	2	1.5	45/45	60/60	46/46	278/278
	3	460-3-60	414	506	8.4	66	8.2	66	2	0.8	21	25	21	136

NOTE(S):

a. See Legend and Notes for Tables 14-17

**Table 17 — 569J\*12-14 Two Circuit Electrical Data with Powered Convenience Outlet<sup>a</sup>**

UNIT SIZE	NUMBER OF STAGES	NOMINAL POWER SUPPLY V-Ph-Hz	VOLTAGE RANGE		COMPRESSOR				OFM		POWER SUPPLY		DISCONNECT SIZE	
					No. 1		No. 2							
			Min	Max	RLA	LRA	RLA	LRA	Qty	FLA (ea)	MCA	Fuse or HACR Brkr	FLA	LRA
569J*12T	3	575-3-60	518	633	6.4	48	5.8	39	2	0.7	17	20	18	93
	3	208/230-3-60	187	253	16.4	110	15.6	110	2	1.5	44/44	60/60	46/46	231/231
	3	460-3-60	414	506	6.8	55	7.7	52	2	0.8	21	25	21	113
569J*14T	3	575-3-60	518	633	6.6	55	6.6	55	2	0.7	18	20	19	116
	3	208/230-3-60	187	253	17.5	136	19.6	136	2	1.5	50/50	60/60	52/52	283/283
	3	460-3-60	414	506	8.4	66	8.2	66	2	0.8	23	30	23	138

NOTE(S):

a. See Legend and Notes for Tables 14-17

**LEGEND AND NOTES FOR TABLES 14-17**

**LEGEND**

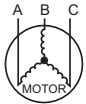
- FLA** — Full Load Amps
- LRA** — Locked Rotor Amps
- MOCP** — Maximum Over Current Protection
- NEC** — National Electrical Code
- RLA** — Rated Load Amps

**NOTES:**

1. The MCA and Fuse values are calculated in accordance with the NEC Article 440.
2. Motor RLA and LRA values are established in accordance with Underwriters Laboratories (UL) Standard 1995.
3. The 575-v units are UL, Canada-listed only.
4. Unbalanced 3-Phase Supply Voltage. Never operate a motor where a phase imbalance in supply voltage is greater than 2%. Use the following formula to determine the percentage of voltage imbalance.

$$\% \text{ Voltage Imbalance} = 100 \times \frac{\text{max voltage deviation from average voltage}}{\text{average voltage}}$$

Example: Supply voltage is 230-3-60



- AB = 224 v
- BC = 231 v
- AC = 226 v

$$\text{Average Voltage} = \frac{(224 + 231 + 226)}{3} = \frac{681}{3} = 227$$

Determine maximum deviation from average voltage.

- (AB) 227-224 = 3 v
  - (BC) 231-227 = 4 v
  - (AC) 227-226 = 1 v
- Maximum deviation is 4 v.

Determine percent of voltage imbalance.

$$\% \text{ Voltage Imbalance} = 100 \times \frac{4}{227} = 1.78\%$$

This amount of phase imbalance is satisfactory as it is below the maximum allowable 2%.

**IMPORTANT:** If the supply voltage phase imbalance is more than 2%, contact your local electric utility company immediately.

**Step 8 — Wind Baffles for Low Ambient Control**

Units with low ambient control (either as a factory-installed option or a field-installed accessory) require the addition of wind baffles to ensure full range low ambient operation. Material data and dimensions for wind baffles are included in the Appendix C section, Low Ambient Control, starting on page 50. Fabricate the wind baffles and mount per instructions.

**PRE-START-UP**

**IMPORTANT:** Before beginning Pre-Start-Up or Start-Up, review Start-Up Checklist at the back of this book. The Checklist assures proper start-up of a unit and provides a record of unit condition, application requirements, system information, and operation at initial start-up.

**⚠ CAUTION**

**UNIT DAMAGE HAZARD**

Failure to follow this caution may result in equipment damage.

Do not attempt to start the condensing unit, even momentarily, until the following steps have been completed. Compressor damage may result.

**System Check**

1. The electrical power source must agree with the unit's nameplate rating.
2. Check all air handler(s) and other equipment auxiliary components. Consult the manufacturer's instructions regarding any other equipment connected to the condensing unit. If the unit has field-installed accessories, be sure all are properly installed and correctly wired. If used, the airflow switch must be properly installed.
3. Check tightness of all electrical connections.
4. Be sure liquid line and low side of the system are properly leak checked and dehydrated.
5. Be sure the unit is properly charged. See "Preliminary Charge", below.
6. Open the liquid line and suction line service valves.
7. The crankcase heater must be firmly attached to the compressor crankcase. Be sure the crankcase is warm (heater must be on for 24 hours before starting compressor).

**Turn On Crankcase Heater**

Turn on the crankcase heater for 24 hours before starting the unit to be sure all the refrigerant is out of the oil. To energize the crankcase heater, proceed as follows:

1. Set the space thermostat set point above the space temperature so there is no demand for cooling.
2. Close the field disconnect.

**Preliminary Charge**

Before starting the unit, charge liquid refrigerant into the high side of the system through the liquid service valve. The amount of refrigerant added must be at least 80% of the operating charge listed in the Physical Data table (Tables 5 and 6). Allow high and low side pressures to equalize before starting compressor. If pressure do not equalize readily, charge vapor on low side of system to assure charge in the evaporator. Refer to

**⚠ CAUTION**

**UNIT DAMAGE HAZARD**

Failure to follow this caution may result in equipment damage.

Prior to starting compressor, a preliminary charge of refrigerant must be added to avoid possible compressor damage.

### START-UP

The compressor crankcase heater must be on for 24 hours before start-up. After the heater has been on for 24 hours, the unit can be started. If no time elapsed since the preliminary charge step was completed, it is unnecessary to wait the 24-hour period.

### Preliminary Checks

1. Check that electric power supply agrees with unit nameplate data.
2. Verify that the compressor crankcase heater is securely in place.
3. Check that the compressor crankcase heater has been on for at least 24 hours.
4. Recheck for leaks using the procedure outlined in the Pre-Start-Up section, Leak Test and Dehydration. If any leaks are detected, repair as required. Evacuate and dehydrate as described in the Leak Test and Dehydration section.
5. Ensure that the preliminary charge has been added as described in the Pre-Start-Up section, Preliminary Charge.
6. All internal wiring connections must be tight, and all barriers and covers must be in place.

NOTE: The 569J units are factory charged with the required amount of oil. If recharging is required, use Emkarate RL 32-3MAF for the 569J units.

### COMPRESSOR ROTATION

On 3-phase units with scroll compressors, it is important to be certain that the compressor is rotating in the proper direction. 569J units are equipped with a Comfort Alert Diagnostic Module (CADM). Alert Code 7 indicates reverse power phasing.

To correct phase order:

1. Turn off power to the unit, tag disconnect.
2. Reverse any two of the unit power leads.
3. Reapply power to the compressor, verify correct pressures.

To verify the compressor is rotating in the proper direction:

1. Connect service gages to the suction and liquid pressure fittings.
2. Energize the compressor.
3. The suction pressure should drop and the liquid pressure should rise, as is normal on any start-up.

### COMPRESSOR OVERLOAD

This overload interrupts power to the compressor when either the current or internal motor winding temperature becomes excessive, and automatically resets when the internal temperature drops to a safe level. This overload may require up to 60 minutes (or longer) to reset. If the internal overload is suspected of being open, disconnect the electrical power to the unit and check the circuit through the overload with an ohmmeter or continuity tester.

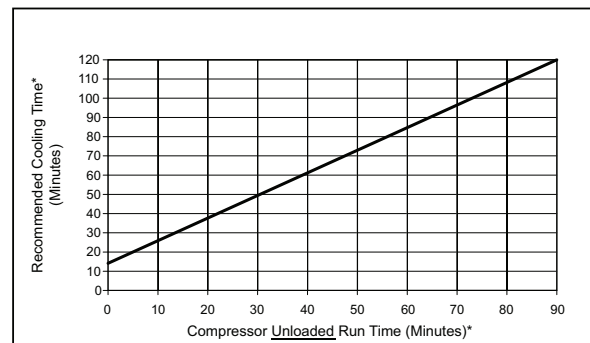
### ADVANCED SCROLL TEMPERATURE PROTECTION (ASTP)

A label located above the terminal box identifies Copeland<sup>1</sup> Scroll compressor models that contain this technology. See Fig. 19. Advanced Scroll Temperature Protection (ASTP) is a form of internal discharge temperature protection, that unloads the scroll compressor when the internal temperature reaches approximately 149°C (300°F). At this temperature, an internal bi-metal disk valve opens and causes the scroll elements to separate, which stops compression. Suction and discharge pressures balance while the motor continues to run. The longer the compressor runs unloaded, the longer it must cool before the bi-metal disk resets. See Fig. 20.

To manually reset ASTP, the compressor should be stopped and allowed to cool. If the compressor is not stopped, the motor will run until the motor protector trips, which occurs up to 90 minutes later. Advanced Scroll Temperature Protection will reset automatically before the motor protector resets, which may take up to 2 hours.



Fig. 19 — Advanced Scroll Temperature Protection Label



NOTES:

1. Various factors, including high humidity, high ambient temperature, and the presence of a sound blanket will increase cool-down times.

\*Times are approximate.

Fig. 20 — Recommended Minimum Cool-Down Time After Compressor is Stopped

### Start Unit

Set the space thermostat to a set point above space temperature so that there is no demand for cooling. Close the 569J disconnect switch. Only the crankcase heater will be energized.

Reset the space thermostat below ambient so that a call for cooling is ensured.

1. Copeland is a trademark of Emerson Climate Technologies.

**⚠ CAUTION**

**UNIT DAMAGE HAZARD**

Failure to follow this caution may result in equipment damage.

Never charge liquid into the low-pressure side of system. Do not overcharge. During charging or removal of refrigerant, be sure indoor-fan system is operating. Ensure both outdoor fan motors are running; bypass any Motormaster function.

**ADJUST REFRIGERANT CHARGE**

Refer to Cooling Charging Charts, Fig. 21-26. Vary refrigerant until the conditions of the chart are met. Note that the charging charts are different from the type normally used. The charts are based on charging the units to the correct subcooling for the various operating conditions. Accurate pressure gage and temperature sensing device are required. Connect the pressure gage to the service port on the liquid line service valve. Mount

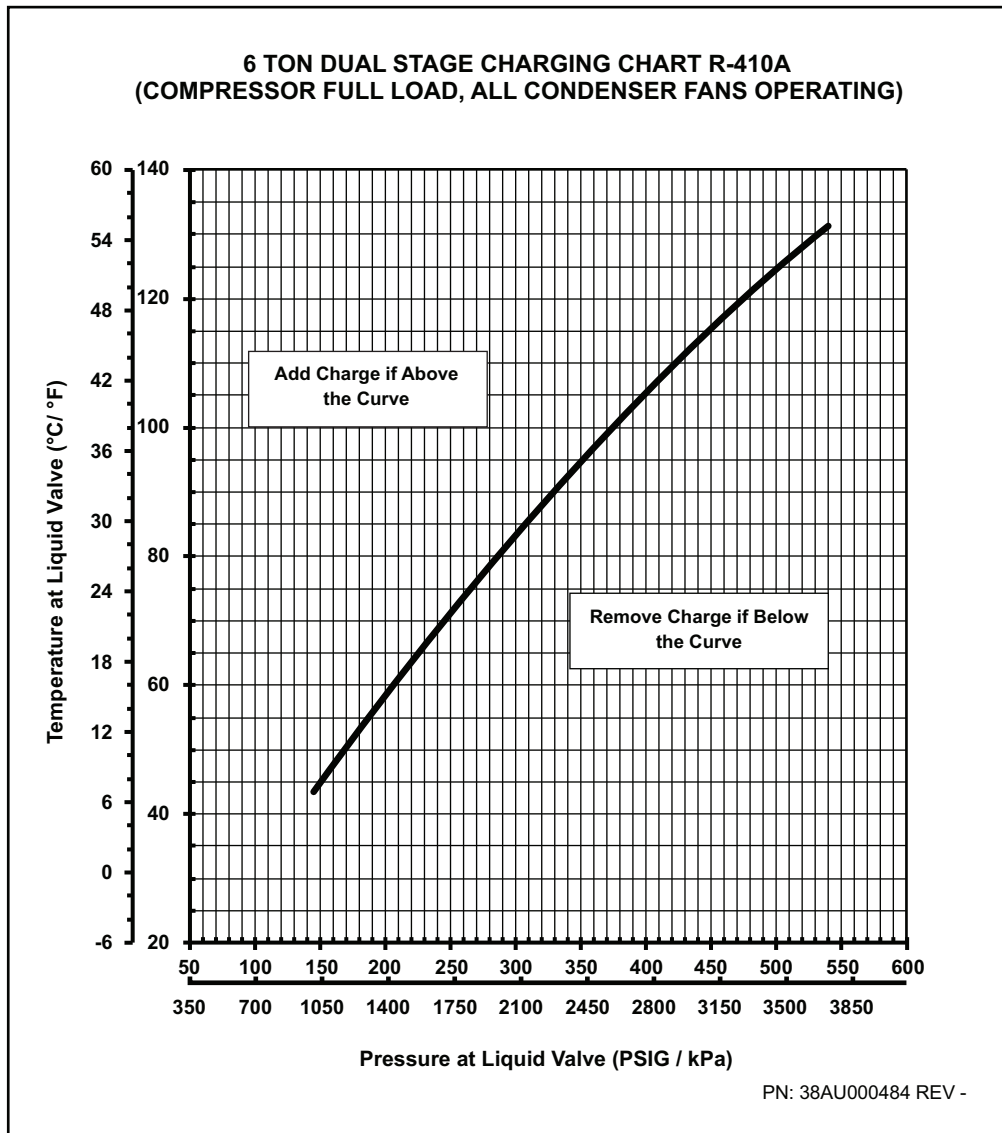
the temperature sensing device on the liquid line close to the liquid line service valve, and insulate it so that outdoor ambient temperature does not affect the reading. Indoor airflow must be within the unit's normal operating range. Operate the unit for a minimum of 15 minutes. Ensure that pressure and temperature readings have stabilized. Plot the liquid pressure and temperature on chart and add or reduce the charge to meet the curve. see Table 18. Adjust the charge to conform with the charging chart, using the liquid pressure and temperature to read the chart.

**Table 18 — Using Plotted Operating Point**

IF PLOTTED OPERATING CONDITION IS	ADJUST CHARGE BY
BELOW the curve	REDUCE charge
ABOVE the curve	ADD charge

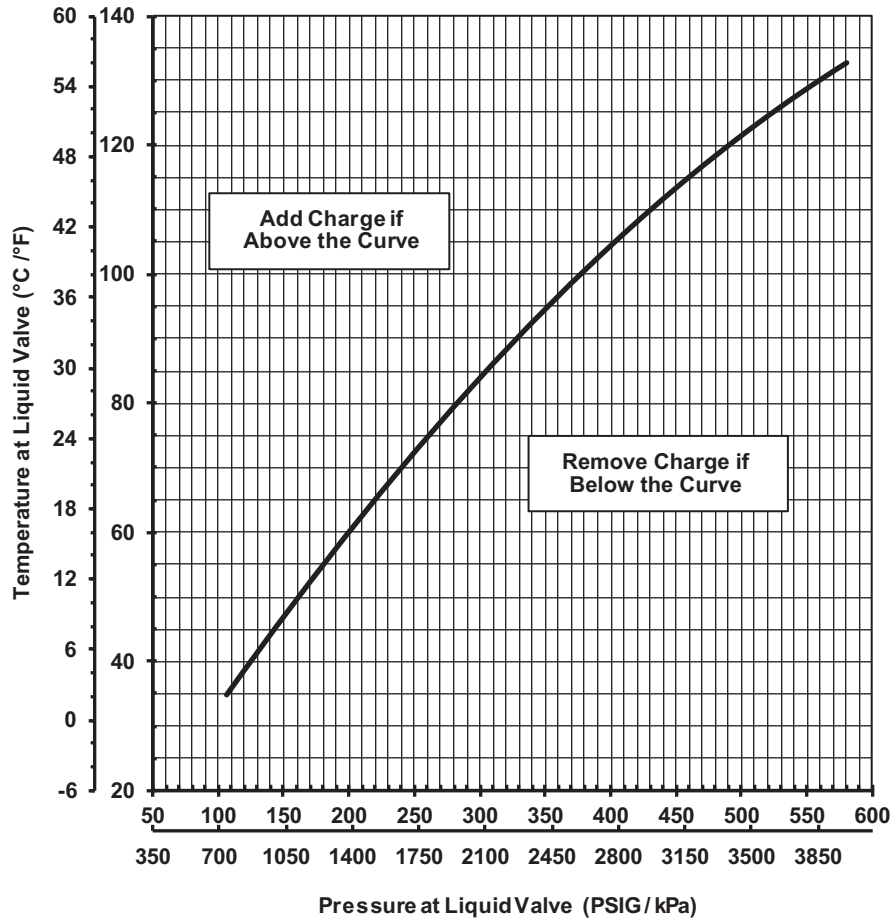
**FINAL CHECKS**

Ensure that all safety controls are operating, control panel covers are on, and the service panels are in place.



**Fig. 21 — 569J\*07G/H Charging Chart (RTPF)**

7.5 Ton Dual Stage Charging Chart R410A Refrigerant

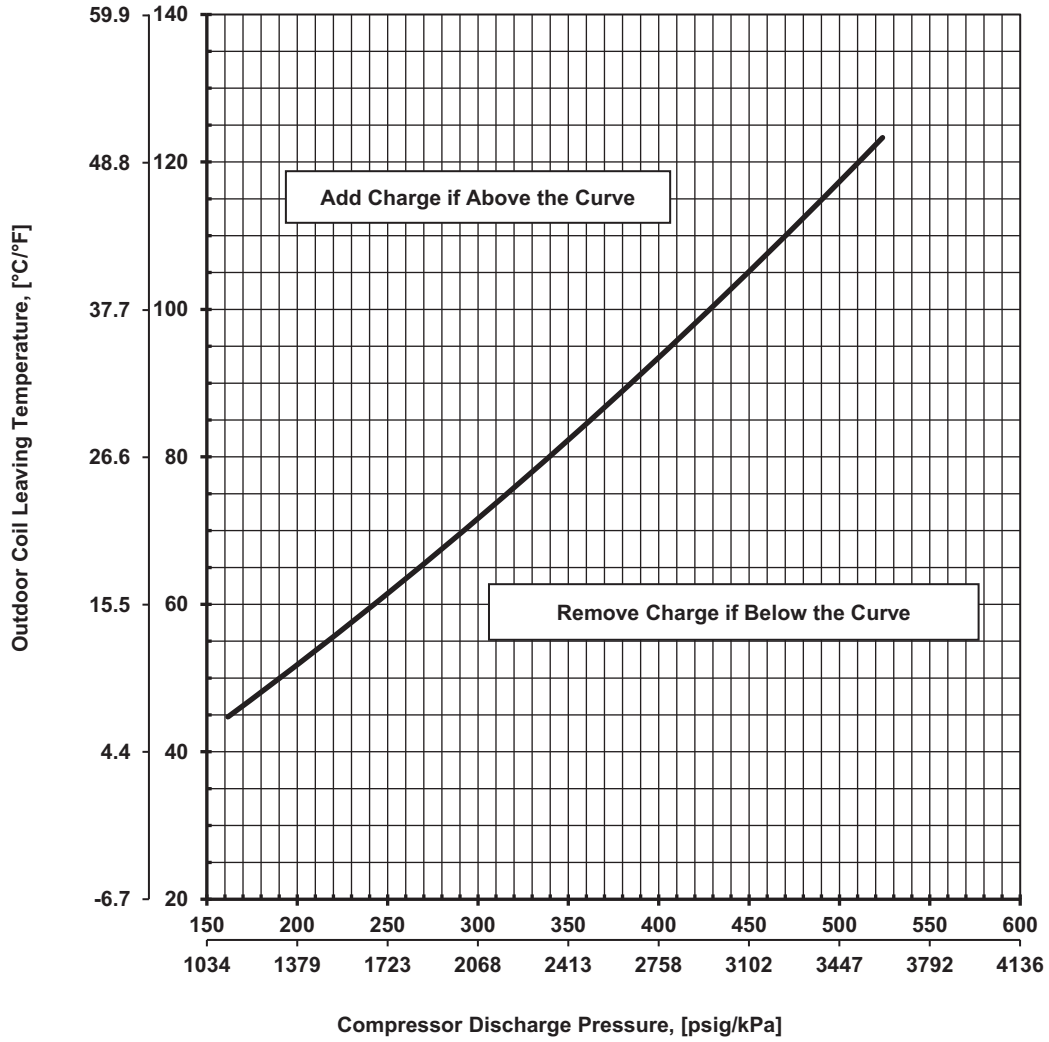


38AU000028

A

Fig. 22 — 569J\*08G/H Charging Chart (RTPF)

### 10 Tons R410A CHARGING CHART

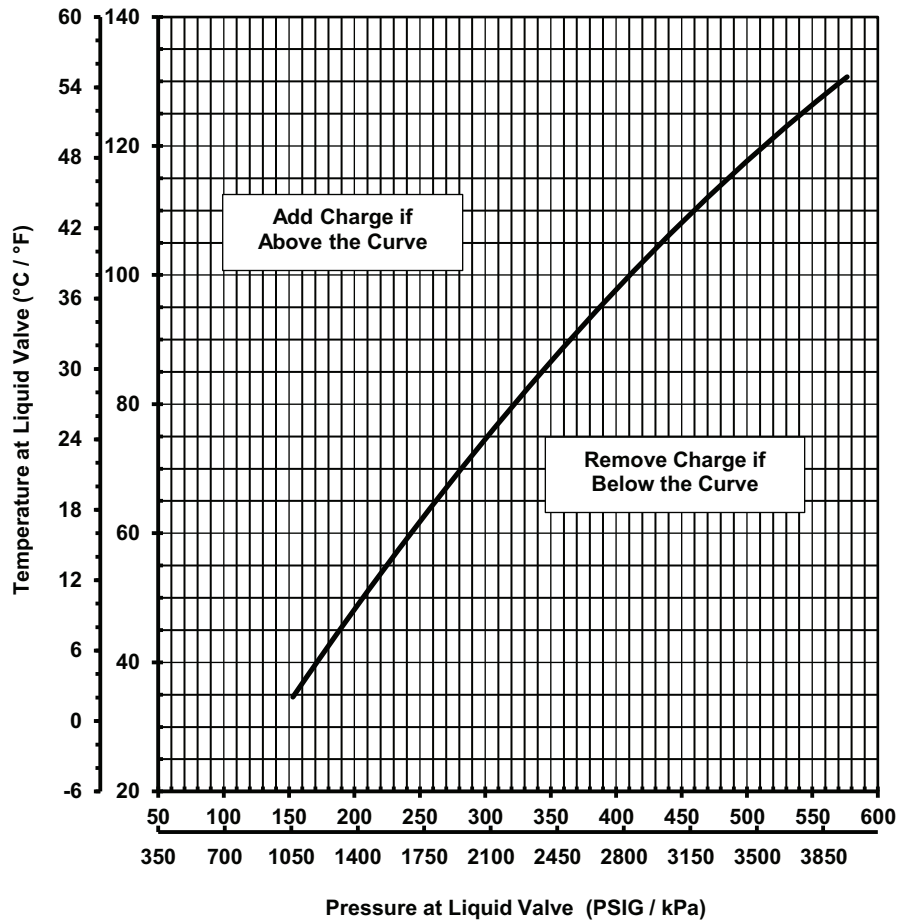


38AU001204

Rev. -

Fig. 23 — 569J\*12M/N Charging Chart (RTPF)

### 12.5 Ton Charging Chart R-410A Refrigerant



38AU501048 C

Fig. 24 — 569J\*14M/N Charging Chart (RTPF)



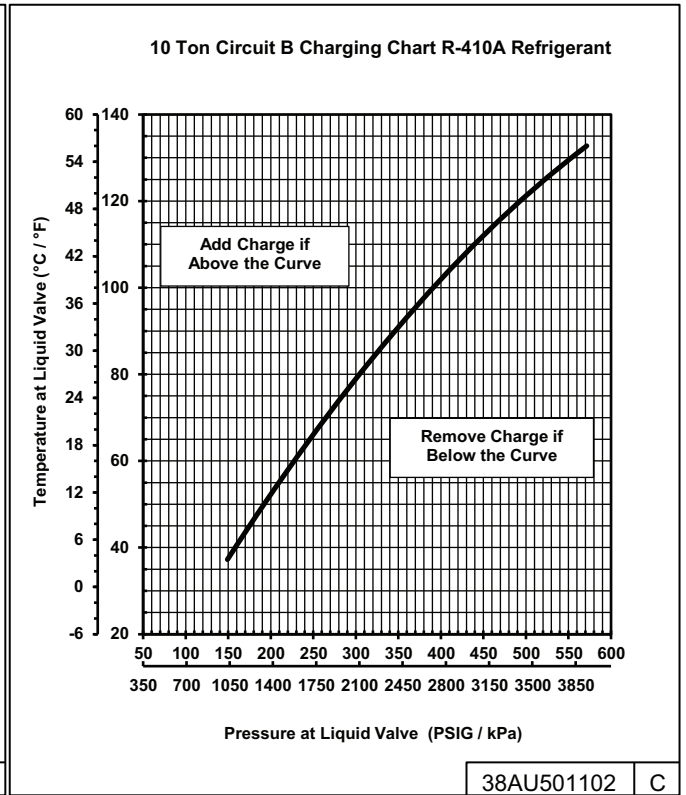
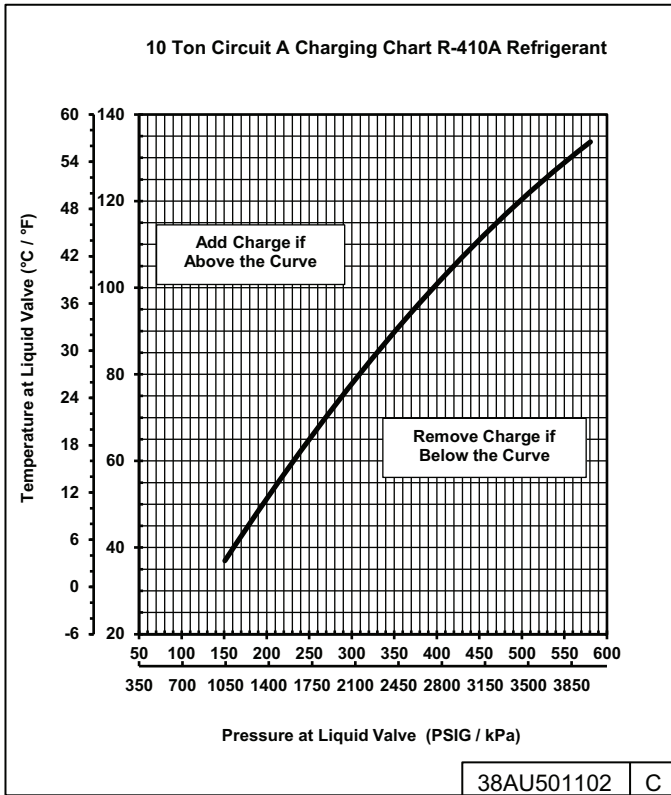


Fig. 25 — 569J\*12T/U Charging Chart (RTPF)

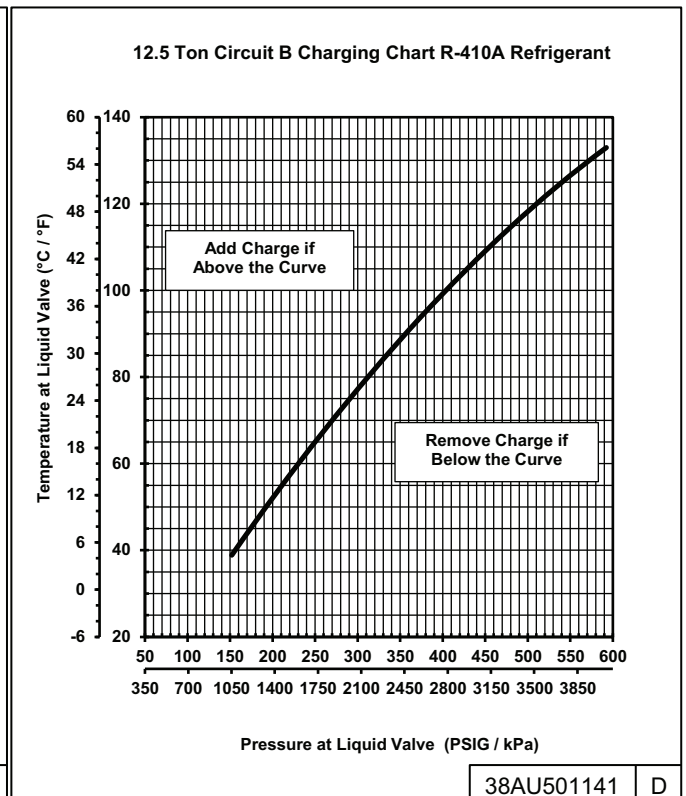
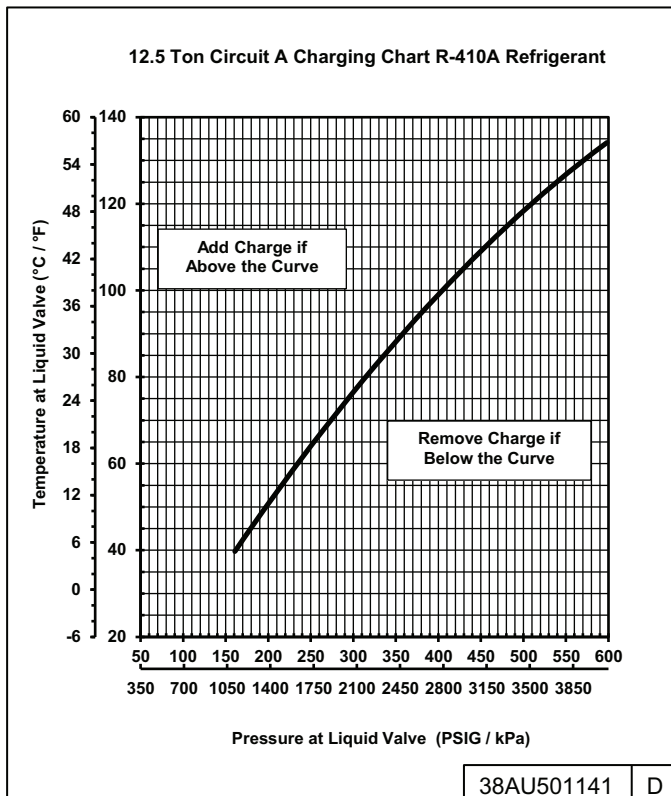


Fig. 26 — 569J\*14T/U Charging Chart (RTPF)

## OPERATING SEQUENCE

### Base Unit Controls

#### INDOOR (SUPPLY) FAN

If the thermostat fan operation is selected as Continuous, the indoor (supply) fan motor runs continuously. If the thermostat fan operation is selected as Automatic, indoor (supply) fan motor runs when there is a call for cooling. When thermostat call for Cooling is satisfied, the indoor (supply) fan motor stops. If there is a fan fault or a shutdown condition in the fan coil, the indoor (supply) fan will not run if there is a call for ventilation or cooling, and the 569J unit will act as if it is not receiving a cooling demand.

#### COOLING, UNIT WITHOUT ECONOMIZER

##### **569J\*07-08G/H, 569J\*12M/N (Single Circuit/2-Stage)**

On a thermostat call for Cooling, the indoor (supply) fan motor runs (subject to there being no fan fault or shutdown condition, see above section). Thermostat output Y1 is energized; terminal Y1 at 569J unit receives 24-v. 24-v received at CADM1 terminal Y. If anti-recycle time delay period has not expired, CADM1 relay will remain open, de-energizing Solenoid Valve Relay (SVR) and preventing compressor start. When safety pressure switches are closed and CADM1 time delay expires, CADM1 relay closes, SVR and compressor contactor C1 are energized; liquid line solenoid valve (LLSV) opens, all outdoor fan motors start and Compressor 1 starts.

On a thermostat calling for Stage 2 Cooling, thermostat output Y2 is energized; terminal Y2 at 569J units receive 24-v. 24-v received at CADM1 terminal Y2. CADM1 DC SOL terminal outputs 24-vdc to the compressor loader plug (LDR) and the compressor operates at full load capacity.

As space cooling load is satisfied, thermostat outputs Y2 and Y1 are sequentially de-energized, removing 24-v at 569J terminals Y2 and Y1. Compressor loader plug is de-energized on Y2 opening. On Y1 opening, Compressor 1 stops, all outdoor fan motors stop and SVR relay is de-energized. Liquid line solenoid valve is de-energized and valve closes. CADM1 begins its three-minute anti-recycle time delay.

##### **569J\*14M/N (Single Circuit, 2-Stage with Tandem Compressors)**

On a thermostat call for Cooling, indoor (supply) fan motor runs. Thermostat output Y1 is energized; terminal Y1 at 569J unit receives 24-v. 24-v received at CADM1 terminal Y. If anti-recycle time delay period has not expired, CADM1 relay will remain open, de-energizing Solenoid Valve Relay (SVR) and preventing compressor start. When safety pressure switches are closed and CADM1 time delay expires, CADM1 relay closes, SVR and compressor contactor C1 are energized; liquid line solenoid valve LLSV opens, and Compressor 1 starts. All outdoor fan motors start, subject to ambient temperature (refer to Fan Cycling section).

On a thermostat calling for Stage 2 Cooling, thermostat output Y2 is energized; terminal Y2 at 569J unit receives 24-v. 24-v received at CADM2 terminal Y. If anti-recycle time delay period has not expired, CADM2 relay will remain open, preventing Compressor 2 start. When safety pressure switches are closed and CADM2 time delay expires, CADM2 relay closes, compressor contactor C2 is energized; Compressor 2 starts.

As space cooling load is satisfied, thermostat outputs Y2 and Y1 are sequentially de-energized, removing 24-v at 569J terminals Y2 and Y1. Compressor 2 stops on Y2 opening. CADM2 begins its three-minute anti-recycle time delay. On Y1 opening, Compressor 1 stops, all outdoor fan motors stop and SVR relay is de-energized. Liquid line solenoid valve is de-energized and valve closes. CADM1 begins its three-minute anti-recycle time delay.

##### **569J\*\*\*T/U (Two Circuit)**

On a thermostat call for Cooling the indoor (supply) fan motor runs. Thermostat output Y1 is energized; terminal Y1 at 569J unit receives 24-v and the Compressor Lockout Relay (CLR) is energized (if there is a fan fault or shutdown condition in the fan coil unit, the CLR will not energize, preventing a Y1, Y2, or Y3 call from turning on the compressors). 24-v received at CADM1 terminal Y1. If anti-recycle time delay period has not expired, CADM1 relay will remain open, de-energizing Solenoid Valve Relay 1 (SVR1) and preventing compressor start. When safety pressure switches are closed and CADM1 time delay expires, CADM1 relay closes, SVR1 and compressor contactor C1 are energized; liquid line solenoid valve LLSV1 opens and Circuit 1 compressor starts. All outdoor fan motors start, subject to ambient temperature (refer to Fan Cycling section).

On a thermostat calling for Stage 2 Cooling, thermostat output Y2 is energized; terminal Y2 at 569J unit receives 24-v. 24-v received at CADM2 terminal Y. If anti-recycle time delay period has not expired, CADM2 relay will remain open, de-energizing Solenoid Valve Relay 2 (SVR2) and preventing compressor start. When safety pressure switches are closed and CADM2 time delay expires, CADM2 relay closes, SVR2 and compressor contactor C2 are energized; liquid line solenoid valve LLSV2 opens and Circuit 2 compressor starts.

On a thermostat calling for Stage 3 Cooling, thermostat output Y3 is energized; terminal X at 569J unit receives 24-v. 24-v received at CADM1 terminal Y2. CADM1 DC SOL terminal outputs 24-vdc to the compressor loader plug (LDR) and the Compressor 1 operates at full load capacity.

As space cooling load is satisfied, thermostat outputs Y3, Y2, and Y1 are de-energized, removing 24-v at 569J terminals X (Y3), Y2, and Y1. Compressor 2 loader plug is de-energized on Y3 opening. Circuit 2 compressor stops on Y2 opening; SVR2 is de-energized and LLSV2 closes. CADM2 begins its three-minute anti-recycle time delay. On Y1 opening, Circuit 1 compressor stops, all outdoor fan motors stop and SVR1 relay is de-energized. Liquid line solenoid valve LLSV1 is de-energized and valve closes. Compressor Lockout Relay is also de-energized. CADM1 begins its three-minute anti-recycle time delay.

#### FAN CYCLING

The 569J\*14M/N and 569J\*12-14T/U are equipped with a temperature switch that will shut down Outdoor Fan 1 in cooling mode when the outdoor temperature falls below 55°F (13°C) to ensure continuous operation in both stages. The outdoor fan will turn back on when the temperature rises above 60°F (16°C). See Fig. 27 and 28 for outdoor fan labeling.

#### All Units

If either the Low Pressure Switch or High Pressure Switch opens while thermostat output Y1 or Y2 remain energized, the compressor contactor is de-energized, the compressor stops and liquid line solenoid is de-energized (valve closes). CADM initiates a TRIP event (cooling demand sensed at CADM terminal Y but no current is measured at T1, T2, T3 motor sensors); CADM relay opens and RED LED is illuminated. TRIP condition maintains lockout of compressor operation until CADM is manually reset. Reset CADM by cycling unit main power.

Complete system shutdown may be caused by loss of main power, open compressor internal overload, open low-pressure or high-pressure switch, or a fault detected by the CADM logic. Compressor operation without cooling may indicate the compressor's ASTP feature is active; disconnect unit power and allow compressor to cool. See Service section for further details.

**COOLING, UNIT WITH ECONOMIZER**

Refer to fan coil unit installation instructions and economizer accessory installation instructions for operating sequences when system is equipped with accessory economizer.

**HEATING**

Refer to fan coil unit installation instructions and accessory heating device installation instructions for operating sequences in heating mode.

**MAINTENANCE**

These items should be part of a routine maintenance program, to be checked every month or two, until a specific schedule for each can be identified for this installation:

**Quarterly Inspection  
(and 30 days after initial start)**

**INDOOR SECTION**

- Condenser coil cleanliness checked.
- Return air filter replacement
- Outdoor hood inlet filters cleaned
- Fan shaft bearing locking collar tightness checked
- Condensate drain checked

**Heating**

- Power wire connections
- Fuses ready
- Manual-reset limit switch is closed

See Tables 19 and 20 for unit specific maintenance checklists.

**Seasonal Maintenance**

These items should be checked at the beginning of each season (or more often if local conditions and usage patterns dictate):

**AIR CONDITIONING**

- Condenser fan motor mounting bolts tightness
- Compressor mounting bolts
- Condenser fan blade positioning
- Control box cleanliness and wiring condition
- Wire terminal tightness
- Refrigerant charge level
- Evaporator coil cleaning
- Evaporator blower motor amperage

**Table 19 — Outdoor Unit Maintenance Checklist**

MAINTENANCE CHECKLIST <sup>a</sup>	RECOMMENDED INTERVAL <sup>b</sup>	
	Monthly	Annual
<b>Outdoor unit specific:</b>		
Clear away debris and vegetation near unit.	X	
Inspect cabinet for damage. Replace components that are damaged or severely rusted.		X
Inspect electrical disconnect for proper function. Repair or replace as necessary.		X
Inspect electrical wiring and connections. Tighten loose connections. Inspect and perform functional test of equipment as needed to ensure proper function. Repair or replace damaged or overheated components and wiring.		X
Check refrigerant system subcooling and superheat.		X
Inspect inside of unit. Clean if debris is present.		X
Inspect condenser coil. Clean if dust, dirt, or debris is present. Rinse unit with fresh water. <sup>c</sup>		X <sup>d</sup>
Inspect motor and fan for damage. Make sure fans spin freely.		X

NOTE(S):

- a. The above list may not include all maintenance items. Inspection intervals may vary depending on climate and opening hours. Consult your Bryant dealer about a service contact for seasonal inspections
- b. Monthly maintenance items and outdoor unit rinsing may be performed by the customer. All other maintenance items and all service work must be performed by a qualified service technician. Read all warning labels.
- c. Do not use harsh chemicals or high pressure water on coils. More frequent rinsing is required near a sea coast.
- d. Monthly rinsing of the condenser coil is recommended if the unit is located in a corrosive climate.

**Table 20 — Indoor Unit Maintenance Checklist**

MAINTENANCE CHECKLIST <sup>a</sup>	RECOMMENDED INTERVAL <sup>b</sup>	
	Monthly	Annual
<b>Outdoor unit specific: (for accessories refer to unit specific literature)</b>		
Inspect, clean, or replace air filter if dirty.	X	
Inspect and clean blower assembly (includes blower housing, wheel, and motor). Lubricate shaft bearings.		X
Inspect internal and external cabinet. Clean as needed.		X
Inspect electrical disconnect for proper function. Repair or replace as necessary.		X
Inspect electrical components, wiring, and connections. Tighten loose connections. Repair or replace damaged components and wiring.		X
Inspect evaporator coil. Clean if dust, dirt, or debris is present. <sup>c</sup>		X
Clean condensate pan, trap, and drain lines (more frequent maintenance may be required in humid climates - consult your local HVAC dealer).		X
Inspect motor and fan for damage. Make Inspect airflow system (ductwork). Check for leaks and repair as needed.		X

NOTE(S):

- a. The above list may not include all maintenance items. Inspection intervals may vary depending on climate and opening hours. Consult your Bryant dealer about a service contact for seasonal inspections
- b. Monthly maintenance items and outdoor unit rinsing may be performed by the customer. All other maintenance items and all service work must be performed by a qualified service technician. Read all warning labels.
- c. Do not use harsh chemicals or high pressure water on coils. More frequent rinsing is required near a sea coast.

## SERVICE

### Refrigeration System

#### ⚠ WARNING

##### UNIT OPERATION AND SAFETY HAZARD

Failure to follow this warning could cause personal injury, death and/or equipment damage.

This system uses R-410A refrigerant, which has higher pressures than R-22 and other refrigerants. No other refrigerant may be used in this system. Gauge set, hoses, and recovery system must be designed to handle R-410A refrigerant. If unsure about equipment, consult the equipment manufacturer.

### COMPRESSOR OIL

#### ⚠ CAUTION

##### UNIT DAMAGE HAZARD

Failure to follow this caution may result in damage to components.

The compressor is in a R-410A refrigerant system and uses a polyolester (POE) oil. This oil is extremely hygroscopic, meaning it absorbs water readily. POE oils can absorb 15 times as much water as other oils designed for HCFC and CFC refrigerants. Avoid exposure of the oil to the atmosphere.

#### *Servicing Systems on Roofs with Synthetic Materials*

POE (polyolester) compressor lubricants are known to cause long term damage to some synthetic roofing materials. Exposure, even if immediately cleaned up, may cause embrittlement (leading to cracking) to occur in one year or more. When performing any service which may risk exposure of compressor oil to the roof, take appropriate precautions to protect roofing. Procedures which risk oil leakage include but are not limited to compressor replacement, repairing refrigerants leaks, replacing refrigerant components such as filter drier, pressure switch, metering device, coil, accumulator, or reversing valve.

#### Synthetic Roof Precautionary Procedure:

1. Cover extended roof working area with an impermeable polyethylene (plastic) drop cloth or tarp. Cover an approximate 10 x 10 ft (3.3 x 3.3 m) area.
2. Cover area in front of the unit service panel with a terry cloth shop towel to absorb lubricant spills and prevent run-offs, and protect drop cloth from tears caused by tools or components.
3. Place terry cloth shop towel inside unit immediately under component(s) to be serviced and prevent lubricant run-offs through the louvered openings in the base pan.
4. Perform required service.
5. Remove and dispose of any oil contaminated material per local codes.

### LIQUID LINE FILTER DRIER

The factory-provided filter drier is specifically designed to operate with Puron refrigerant. Replace the filter drier with factory-authorized components only with a filter drier with desiccant made from 100% molecular sieve grade XH-11. Filter drier must be replaced whenever the refrigerant system is opened.

When removing a filter drier, use a tubing cutter to cut the drier from the system. Do not unsweat a filter drier from the system. Heat from unsweating will release moisture and contaminants from drier into system.

### FIELD REFRIGERANT ACCESS PORTS

Field service access to refrigerant pressures is through the access ports located at the service valves (see Fig. 27 and 28). These ports are 1/4-in. SAE Flare couplings with Schrader check valves and service caps. Use these ports to admit nitrogen to the field tubing during brazing, to evacuate the tubing and evaporator coil, to admit initial refrigerant charge into the low-side of the system and when checking and adjusting the system refrigerant charge. When service activities are completed, ensure the service caps are in place and secure; check for leaks. If the Schrader check valve must be removed and re-installed, tighten to 2 to 3 in-lbs (23 to 34 N-cm).

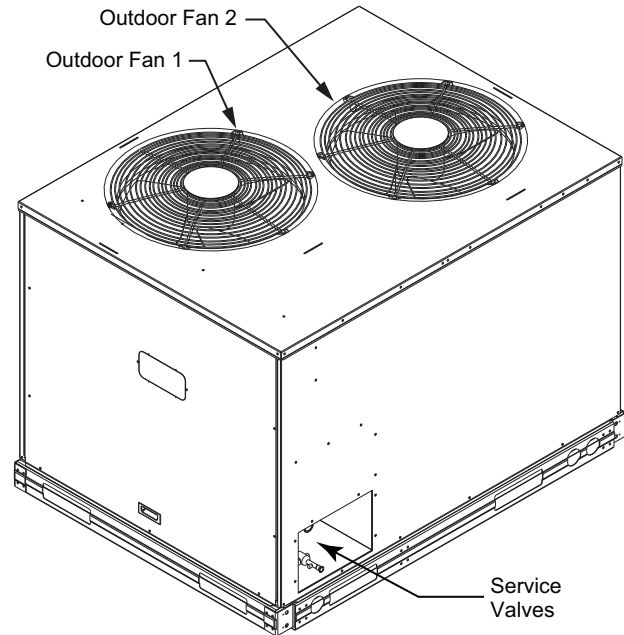


Fig. 27 — Typical Exterior, Single-Circuit Unit (569J\*08G/H shown)

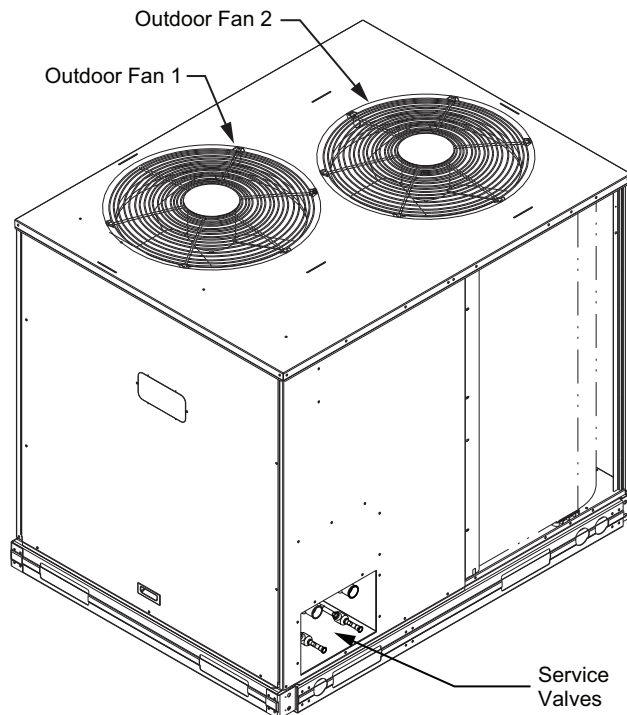
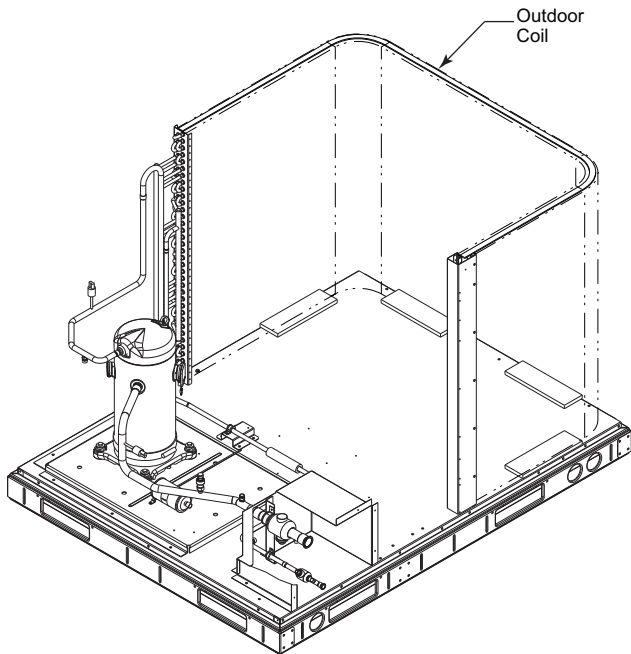


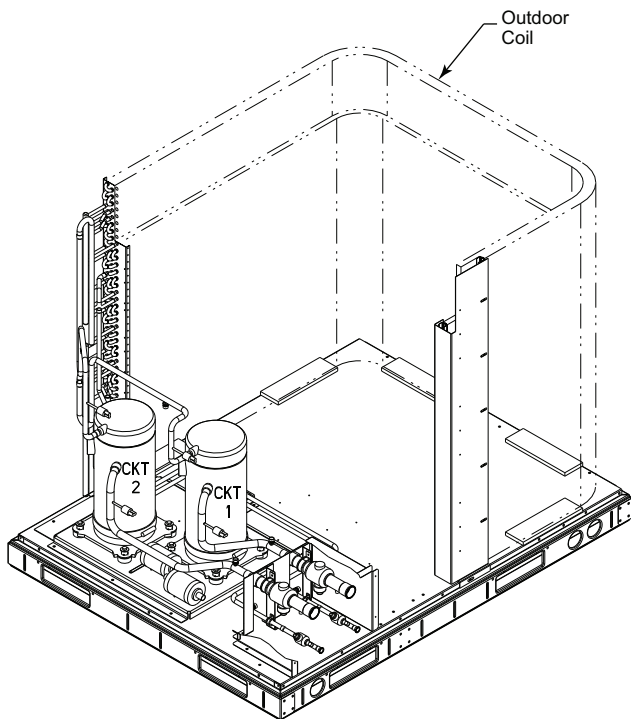
Fig. 28 — Typical Exterior, Two-Circuit Unit (569J\*14T/U shown)

## FACTORY HIGH-FLOW ACCESS PORTS

There are two additional access ports in the system - on the suction tube between the compressor and the suction service valve and on the liquid tube near the liquid service valve (see Fig. 29 and 30). These are brass fittings with black plastic caps. The hose connection fittings are standard 1/4-in. SAE Male Flare couplings.



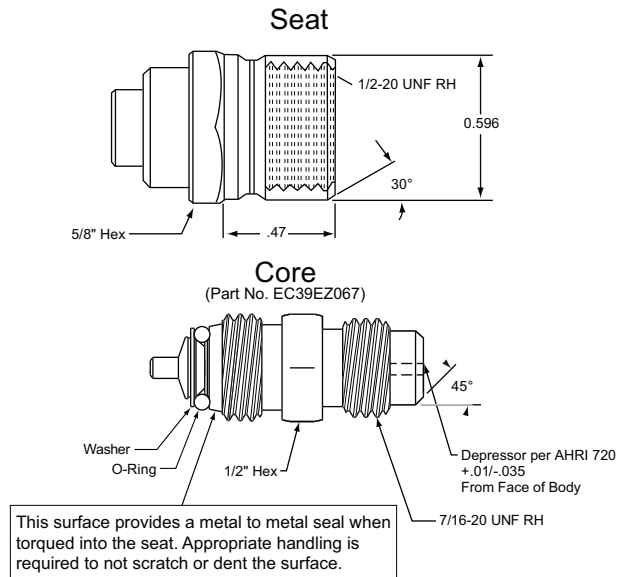
**Fig. 29 — Typical Interior, Single-Circuit Unit (569J\*08G/H shown)**



**Fig. 30 — Typical Interior, Two-Circuit Unit (569J\*14T/U shown)**

The brass fittings are two-piece High Flow valves, with a receptacle base brazed to the tubing and an integral spring-closed check valve core screwed into the base. See Fig. 31. This check valve is permanently assembled into this core body and cannot be serviced separately; replace the entire core body if necessary.

Service tools are available from RCD that allow the replacement of the check valve core without having to recover the entire system refrigerant charge. Apply compressor refrigerant oil to the check valve core's bottom o-ring. Install the fitting body with  $96 \pm 10$  in-lbs ( $1085 \pm 23$  N-cm) of torque; do not overtighten.



**Fig. 31 — CoreMax<sup>1</sup> Access Port Assembly**

## Comfort Alert Diagnostic Module

The Comfort Alert Diagnostic Module (CADM) monitors and analyzes data from the Copeland Scroll three-phase compressor and the thermostat demand. The CADM also provides a 3-minute anti-recycle time delay to compressor cycling. Each compressor has a separate CADM module.

The CADM detects causes for electrical and system related failures without any sensors. Flashing LEDs communicate the Alert codes to guide service technicians in accurately and quickly troubleshooting the system and determining root cause for the failure.

Inputs to the CADM include 24-vac power, thermostat Y1 or Y2, compressor contactor coil (common side) and compressor power leads (from the compressor contactor). See Table 21.

Control of the compressor contactor coil is through a normally closed (power on the module) contact between terminals P and C.

**Table 21 — Comfort Alert Diagnostic Module Inputs**

INPUT	TERMINAL	VOLTAGE
Control Power	R	24-v
Demand <sup>a</sup>	Y2	24-v
Control Common	C	24-v
Cooling	Y	24-v
Contractor Coil	P	24-v
Line A	T1	Line
Line B	T2	Line
Line C	T3	Line

NOTE(S):

a. All models require at least one 2-stage CADM.

Communications of status and alert conditions is through three LEDs located on the top edge of the module housing (see Fig. 32): POWER (green), ALERT (yellow), and TRIP (red).

The POWER LED indicates the presence of control power to the CADM.

1. CoreMax is a registered trademark of Fastest, Inc.

The ALERT LED indicates an abnormal condition exists in the system through a flash code. The ALERT LED will blink a number of times consecutively, pause and the repeat the process. The number of blinks, defined in Table 22, correlates to a particular abnormal condition; troubleshooting tips are provided for each Alert code. Reset of the ALERT may be automatic or manual. If the fault condition causing the Alert is self-corrected, the Alert code will be removed and the CADM will automatically reset and allow the system to restart normally. Manual reset requires that main power to the 569J unit be recycled after the cause for the Alert condition has been detected and corrected.

The TRIP LED indicates either a time-delay period is currently active (RED LED is blinking) or the module has locked out the compressor (RED LED is on steady). A lockout condition will occur when the CADM detects a thermostat demand at input Y but there is no power at the compressor line terminals T1 or T2 or T3. This lockout can occur due to a safety switch (LPS or HPS) opening and de-energizing the compressor contactor, the compressor-motor internal overload opens, or other internal power interruption has occurred. Reset of the TRIP LED requires that unit main power be recycled after the loss of power to the compressor condition has been detected and corrected.

Simultaneous blinking of YELLOW and RED LEDs indicates control power input to the CADM is low. Check control circuit transformer and wiring.

### TROUBLESHOOTING THE CADM WIRING

Flashing LEDs also indicate wiring problems to the CADM. See Tables 22 and 23 for discussion of additional LED flash codes and troubleshooting instructions.

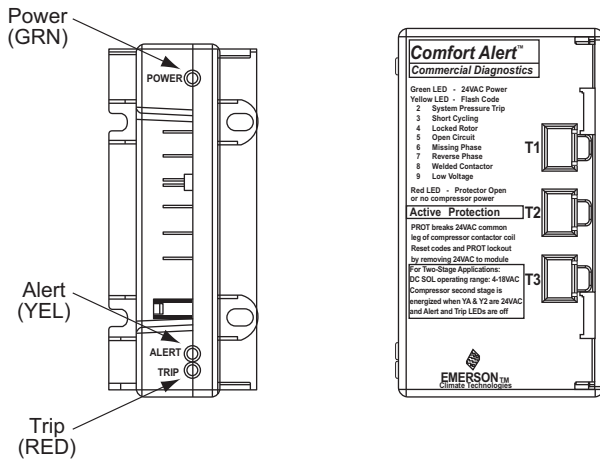


Fig. 32 — CADM Housing/LED Locations

Table 22 — LED Status Codes

STATUS LED	STATUS LED DESCRIPTION	STATUS LED TROUBLESHOOTING INFORMATION
Green "POWER"	Module has power	Supply voltage is present at module terminals
Red "TRIP" LED On Solid	Thermostat demand signal Y is present, but the compressor is not running.	<ol style="list-style-type: none"> <li>Compressor protector is open</li> <li>Condensing unit power disconnect is open</li> <li>Compressor circuit breaker or fuse(s) is open</li> <li>Broken supply wires or connector is not making contact</li> <li>Compressor power wires not routed through Comfort Alert</li> <li>Compressor contactor has failed open</li> </ol>
Red "TRIP" LED Flashing	The anti-short cycle timer (3 minutes) in module is preventing compressor restart.	
Module locks out compressor when compressor damaging ALERT code appears. Lockout ALERT codes are noted in the Status LED Description. During a compressor lock out, 24VAC power must be removed from module to manually reset.		
Yellow "ALERT" LED On Solid	A short circuit or over current condition exists on PROT terminal.	<ol style="list-style-type: none"> <li>Compressor contactor coil shorted</li> <li>Electrical load too high for PROT circuit (maximum 1 Amp)</li> <li>24 V AC wired directly to PROT terminal</li> </ol>
Yellow "ALERT" Flash Code 2	System Pressure Trip Discharge pressure out of limits LOCKOUT	<ol style="list-style-type: none"> <li>High head pressure</li> <li>Condenser coil poor air circulation (dirty, blocked, damaged)</li> <li>Condenser fan is not running</li> <li>If low pressure switch is open:           <ol style="list-style-type: none"> <li>Low refrigerant charge</li> <li>Evaporator blower is not running</li> <li>Evaporator coil is frozen</li> <li>Faulty metering device</li> <li>Condenser coil is dirty</li> <li>Liquid line restriction (filter drier blocked if present)</li> </ol> </li> </ol>
Yellow "ALERT" Flash Code 3	Short Cycling Compressor is running only briefly (four consecutive cycles of less than three minutes each) LOCKOUT	<ol style="list-style-type: none"> <li>Loose connection between thermostat Y1 and CADM Y terminal.</li> <li>Unit short-cycling on thermostat</li> <li>System or control board defective</li> </ol>
Yellow "ALERT" Flash Code 4	Locked Rotor LOCKOUT	<ol style="list-style-type: none"> <li>Low line voltage to compressor</li> <li>Excessive liquid refrigerant in compressor</li> <li>Compressor bearings are seized</li> </ol>
Yellow "ALERT" Flash Code 5	Open Circuit	<ol style="list-style-type: none"> <li>Condensing unit power disconnect is open</li> <li>Compressor circuit breaker or fuses are open</li> <li>Compressor contactor has failed open</li> <li>High pressure switch is open and requires manual reset</li> <li>Broken supply wires or connector is not making contact</li> <li>Unusually long compressor protector reset time due to extreme ambient temperature</li> <li>Compressor windings are damaged</li> </ol>
Yellow "ALERT" Flash Code 6	Missing Phase LOCKOUT	<ol style="list-style-type: none"> <li>Compressor fuse is open on one phase</li> <li>Broken wire or connector on one phase</li> <li>Compressor motor winding is damaged</li> <li>Utility supply has dropped one phase</li> </ol>
Yellow "ALERT" Flash Code 7	Reverse Phase LOCKOUT	<ol style="list-style-type: none"> <li>Compressor running backward due to supply phase reversal</li> </ol>
Yellow "ALERT" Flash Code 8	Welded Contactor Compressor always runs	<ol style="list-style-type: none"> <li>Compressor contactor has failed closed</li> <li>Thermostat demand signal not connected to module</li> </ol>
Yellow "ALERT" Flash Code 9	Low Voltage Control circuit < 18VAC	<ol style="list-style-type: none"> <li>Control circuit transformer is overloaded</li> <li>Low line voltage to compressor</li> </ol>

**Table 23 — CADM Troubleshooting**

MISWIRED MODULE INDICATION	RECOMMENDED TROUBLESHOOTING ACTION
Green LED is not on, module does not power up	Determine if both R and C module terminals are connected. Verify voltage is present at module's R and C terminals. NOTE: The CADM requires a constant nominal 24VAC power supply. The wiring to the module's R and C terminals must be directly from the control transformer. The module cannot receive its power from another device that will interrupt the 24VAC power supply. See Appendix B Wiring Diagrams.
Green LED Intermittent, module powers up only when compressor runs	Determine if R and Y terminals are wired in reverse. Verify module's R and C terminals have a constant source. See "NOTE" above for details on R and C wiring.
TRIP LED is on but system and compressor check OK	Verify Y terminal is wired properly per the 569J wiring diagram (see Appendix B Wiring Diagrams). Verify voltage at contactor coil falls below 0.5VAC when off. Verify 24VAC is present across Y and C when thermostat demand signal is present. If not, R and C are reverse wired.
TRIP LED and ALERT LED flashing together	Verify R and C terminals are supplied with 19-28VAC.
ALERT Flash Code 3 (Compressor Short Cycling) displayed incorrectly	Verify Y terminal is connected to 24VAC at contactor coil. Verify voltage at contactor coil falls below 0.5VAC when off.
ALERT Flash Code 5 or 6 (Open Circuit, Missing Phase) displayed incorrectly	Check that compressor T1 and T3 wires are through module's current sensing holes. Verify Y terminal is connected to 24VAC at contactor coil. Verify voltage at contactor coil falls below 0.5VAC when off.
Alert Flash Code 8 (Welded Contactor) displayed incorrectly	Determine if module's Y terminal is connected. Verify Y terminal is connected to 24VAC at contactor coil. Verify 24VAC is present across Y and C when thermostat demand signal is present. If not, R and C are reverse wired. Verify voltage at contactor coil falls below 0.5VAC when off.

## Compressor Protection

### COMPRESSOR OVER-TEMPERATURE INTERNAL PROTECTION

A thermostat installed on the compressor motor winding reacts to excessively high winding temperatures and shuts off the compressor.

### CRANKCASE HEATER

The heater minimizes absorption of liquid refrigerant by oil in the crankcase during brief or extended shutdown periods. The heater is wired to cycle with the compressor; the heater is off when compressor is running, and on when compressor is off.

The crankcase heater will operate as long as the power circuit is energized. The main disconnect must be on to energize the crankcase heater.

**IMPORTANT:** Never open any switch or disconnect that energizes the crankcase heater unless unit is being serviced or is to be shut down for a prolonged period. After a prolonged shutdown on a service job, energize the crankcase heater for 24 hours before starting the compressor.

### ADVANCED SCROLL TEMPERATURE PROTECTION (ASTP)

See "Advanced Scroll Temperature Protection (ASTP)" on page 20.

### LOW-PRESSURE SWITCH

The 569J low-pressure switch is stem-mounted on the suction line. Switches are all fixed, non-adjustable type.

### HIGH-PRESSURE SWITCH

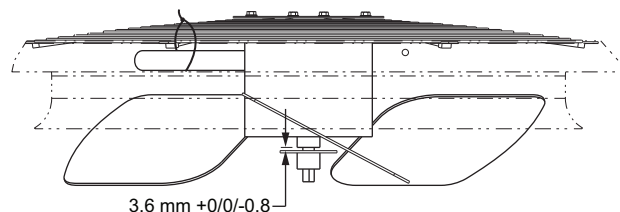
The high-pressure switch is stem mounted on the discharge line. The switch is a fixed, non-adjustable type.

### OUTDOOR FANS

Each fan is supported by a formed-wire mount bolted to the fan deck and covered with a wire guard. Fan motors have permanently lubricated bearings.

1. Shut off unit power supply. Install lockout tag.
2. Remove outdoor fan assembly (grille, motor, and fan).
3. Loosen fan hub setscrews.
4. Adjust fan height as shown in Fig. 33.

5. Tighten setscrews to 84 in-lb (949 N-cm).
6. Replace outdoor fan assembly.



**Fig. 33 — Outdoor Fan Blade Position**

### LUBRICATION

#### Fan Motors

The fan motors have sealed bearings. No provisions are made for lubrication.

#### Compressor

The compressor has its own oil supply. Loss of oil due to a leak in the system should be the only reason for adding oil after the system has been in operation.

### Routine Cleaning of Round-Tube Plate Fin (RTPF) Coils

Periodic cleaning with Totaline® environmentally balanced coil cleaner is essential to extend the life of RTPF coils. This cleaner is available from Bryant Replacement parts division as part number P902-0301 for a one gallon container, and part number P902-0305 for a 5 gallon container. It is recommended that all RTPF coils be cleaned with the Totaline environmentally balanced coil cleaner as described below.

Coil cleaning should be part of the unit's regularly scheduled maintenance procedures to ensure long life of the coil. Failure to clean the coils may result in reduced durability in the environment.

Avoid the use of:

- coil brighteners
- acid cleaning prior to painting
- high pressure washers
- poor quality water for cleaning

Totaline environmentally sound coil cleaner is non-flammable, hypoallergenic, non-bacterial, and a USDA accepted biodegradable agent that will not harm the coil or surrounding components such as electrical wiring, painted metal surfaces, or

insulation. Use of non-recommended coil cleaners is strongly discouraged since coil and unit durability could be affected.

**TOTALINE ENVIRONMENTALLY BALANCED COIL CLEANER APPLICATION EQUIPMENT**

- 2-1/2 gallon garden sprayer
- water rinse with low velocity spray nozzle

**⚠ CAUTION**

**UNIT DAMAGE HAZARD**

Failure to follow this caution may result in accelerated corrosion of unit parts.

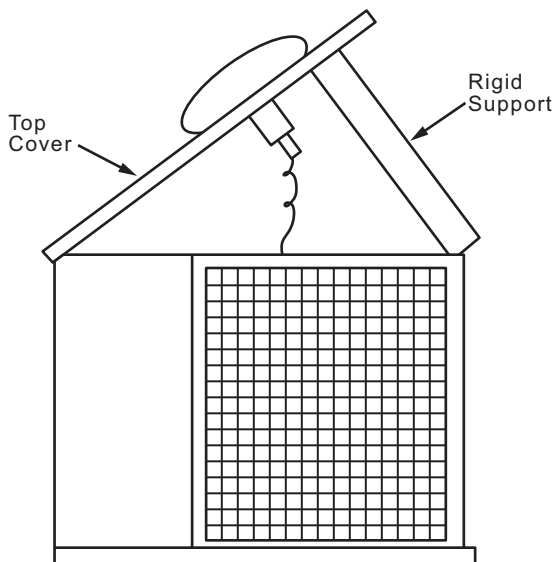
Harsh chemicals, household bleach or acid or basic cleaners should not be used to clean outdoor or indoor coils of any kind. These cleaners can be very difficult to rinse out of the coil and can accelerate corrosion at the fin/tube interface where dissimilar materials are in contact. If there is dirt below the surface of the coil, use the environmentally balanced coil cleaner.

**IMPORTANT:** High velocity water from a pressure washer, garden hose, or compressed air should never be used to clean a coil. The force of the water or air jet will bend the fin edges and increase airside pressure drop, resulting in reduced unit performance.

**Totaline Environmentally Sound Coil Cleaner Application Instructions:**

NOTE: Proper eye protection such as safety glasses is recommended during mixing and application.

1. Turn off unit power.
2. Remove screws holding rear corner post and top cover in place. Pivot top cover up 12 to 18 inches (305 to 457 mm) and support with a rigid support. See Fig. 34.



**Fig. 34 — Pivot and Support Top Cover**

3. Remove all surface loaded fibers and dirt with a vacuum cleaner. If a vacuum cleaner is not available, a soft non-metallic bristle brush may be used. In either case, the tool should be applied in the direction of the fins. Coil surfaces can be easily damaged (fin edges can be easily bent over and damage to the coating of a protected coil) if the tool is applied across the fins.

NOTE: Use of a water stream, such as a garden hose, against surface loaded coil will drive the fibers and dirt into the coil, making cleaning efforts more difficult. Surface loaded fibers must be completely removed prior to using low velocity clean water rinse.

4. Using a low velocity garden hose thoroughly wet finned surfaces with clean water. Be careful not to bend the fins.
5. Mix Totaline environmentally balanced coil cleaner in a 2-1/2 gallon garden sprayer according to the instructions included with the cleaner. The optimum solution temperature is 100°F (38°C).

NOTE: Do NOT USE water in excess of 130°F (54°C), as the enzymatic activity will be destroyed.

6. Thoroughly apply Totaline environmentally balanced coil cleaner solution to all coil surfaces including the finned area, tube sheets and coil headers.
7. Hold garden sprayer nozzle close to finned areas and apply cleaner with a vertical, up-and-down motion. Avoid spraying in horizontal pattern to minimize potential for fin damage.
8. Ensure cleaner thoroughly penetrates deep into finned areas.
9. Interior and exterior finned areas must be thoroughly cleaned.
10. Finned surfaces should remain wet with cleaning solution for 10 minutes.
11. Ensure surfaces are not allowed to dry before rinsing. Reapply cleaner as needed to ensure 10-minute saturation is achieved.
12. Thoroughly rinse all surfaces with low velocity clean water using downward rinsing motion of water spray nozzle. Protect fins from damage from the spray nozzle.
13. Replace top cover and rear corner posts.

**Fastener Torque Values**

See Table 24 for torque values.

**Table 24 — Torque Values**

ITEM	TORQUE VALUE
Compressor mounting bolts	65-75 in-lbs (734-847 N-cm)
Condenser fan motor mounting bolts	20 ± 2 in-lbs (226 ± 23 N-cm)
Condenser fan hub setscrew	84 ± 2 in-lbs (949 ± 136 N-cm)
High-flow service port	96 ± 10 in-lbs (1085 ± 23 N-cm)
Schrader-type service check valve	2-3 in-lbs (23-34 N-cm)
Compressor oil sight-glass thread	330 ± 31 in-lbs (23-34 N-cm)
Compressor to Compressor rail torque	120-168 in-lbs (1356-1898 N-cm)
Compressor rail to base pan torque	70 ± 5 in-lbs (791 ± 57 N-cm)

**TROUBLESHOOTING**

See Table 25 for troubleshooting.



**Table 25 — Troubleshooting**

PROBLEM	SOLUTION
<p><b>COMPRESSOR DOES NOT RUN</b></p> <p><b>Contactors Open</b></p> <ol style="list-style-type: none"> <li>Power off.</li> <li>Fuses blown in field power circuit.</li> <li>No control power.</li> <li>Thermostat circuit open.</li> <li>Safety device lockout circuit active.</li> <li>Low-pressure switch open.</li> <li>High-pressure switch open</li> <li>Compressor over-temperature switch open.</li> <li>Loose electrical connections.</li> <li>Compressor stuck.</li> <li>Fan fault or shutdown condition in fan coil unit active, preventing thermostat signals passing from fan coil unit to 569J.</li> </ol> <p><b>Contactors Closed</b></p> <ol style="list-style-type: none"> <li>Compressor leads loose.</li> <li>Motor windings open.</li> <li>Single phasing.</li> </ol>	<ol style="list-style-type: none"> <li>Restore power.</li> <li>After finding cause and correcting, replace with correct size fuse.</li> <li>Check control transformer primary connections and circuit breaker.</li> <li>Check thermostat setting.</li> <li>Reset lockout circuit.</li> <li>Check for refrigerant undercharge, obstruction of indoor airflow. Make sure liquid line solenoid valve(s) is open.</li> <li>Check for refrigerant overcharge, obstruction of outdoor airflow, air in system. Be sure outdoor fans are operating correctly</li> <li>Check for open condition. Allow for reset. Replace compressor if necessary</li> <li>Tighten all connections.</li> <li>See compressor service literature.</li> <li>Reset fan limit switch (524F) or address fault in VFD (524J).</li> </ol> <ol style="list-style-type: none"> <li>Check connections.</li> <li>See compressor service literature.</li> <li>Check for blown fuse. Check for loose connection at compressor terminal.</li> </ol>
<p><b>COMPRESSOR STOPS ON HIGH-PRESSURE SWITCH</b></p> <p><b>Outdoor Fan On</b></p> <ol style="list-style-type: none"> <li>High-pressure switch faulty.</li> <li>Reversed fan rotation.</li> <li>Airflow restricted.</li> <li>Air recirculating.</li> <li>Non-condensables in system.</li> <li>Refrigerant overcharge.</li> <li>Line voltage incorrect.</li> <li>Refrigerant system restrictions.</li> </ol> <p><b>Outdoor Fan Off</b></p> <p>Note: On 569J*14M/N and 569J*12-14T/U systems, Outdoor Fan 1 will be off in cooling mode below <math>55 \pm 1.5^\circ\text{F}</math> outdoor temperature.</p> <ol style="list-style-type: none"> <li>Fan slips on shaft.</li> <li>Motor not running.</li> <li>Motor bearings stuck.</li> <li>Motor overload open.</li> <li>Motor burned out.</li> </ol>	<ol style="list-style-type: none"> <li>Replace switch.</li> <li>Confirm rotation, correct if necessary.</li> <li>Remove obstruction.</li> <li>Clear airflow area.</li> <li>Recover refrigerant and recharge as required.</li> <li>Recover refrigerant as required.</li> <li>Consult power company.</li> <li>Check or replace filter drier, expansion valve, etc.</li> </ol> <ol style="list-style-type: none"> <li>Tighten fan hub setscrews.</li> <li>Check power and capacitor.</li> <li>Replace bearings.</li> <li>Check overload rating. Check for fan blade obstruction.</li> <li>Replace motor.</li> </ol>
<p><b>COMPRESSOR CYCLES ON LOW-PRESSURE SWITCH</b></p> <p><b>Indoor-Air Fan Running</b></p> <ol style="list-style-type: none"> <li>Liquid line solenoid valve(s) fails to open.</li> <li>Filter drier plugged.</li> <li>Expansion valve power head defective.</li> <li>Low refrigerant charge.</li> </ol> <p><b>Airflow Restricted</b></p> <ol style="list-style-type: none"> <li>Coil iced up.</li> <li>Coil dirty.</li> <li>Air filters dirty.</li> <li>Dampers closed.</li> </ol> <p><b>Indoor-Air Fan Stopped</b></p> <ol style="list-style-type: none"> <li>Electrical connections loose.</li> <li>Fan relay defective.</li> <li>Motor overload open.</li> <li>Motor defective.</li> <li>Fan belt broken or slipping.</li> <li>Fan fault or shutdown condition in fan coil unit active.</li> </ol>	<ol style="list-style-type: none"> <li>Check liquid line solenoid valve(s) for proper operation. Replace if necessary.</li> <li>Replace filter drier.</li> <li>Replace power head.</li> <li>Add charge. Check low-pressure switch setting.</li> </ol> <ol style="list-style-type: none"> <li>Check refrigerant charge.</li> <li>Clean coil fins.</li> <li>Clean or replace filters.</li> <li>Check damper operation and position.</li> </ol> <ol style="list-style-type: none"> <li>Tighten all connections.</li> <li>Replace relay.</li> <li>Power supply.</li> <li>Replace motor.</li> <li>Replace or tighten belt.</li> <li>Reset fan limit switch (524F) or address fault in VFD (524J).</li> </ol>

**Table 25 — Troubleshooting (cont)**

PROBLEM	SOLUTION
<p><b>COMPRESSOR RUNNING BUT COOLING INSUFFICIENT</b></p> <p><b>Suction Pressure Low</b></p> <ol style="list-style-type: none"> <li>1. Refrigerant charge low.</li> <li>2. Head pressure low.</li> <li>3. Air filters dirty.</li> <li>4. Expansion valve power head defective.</li> <li>5. Indoor coil partially iced.</li> <li>6. Indoor airflow restricted.</li> </ol> <p><b>Suction Pressure High</b></p> <ol style="list-style-type: none"> <li>1. Heat load excessive.</li> </ol>	<ol style="list-style-type: none"> <li>1. Add refrigerant.</li> <li>2. Check refrigerant charge. Check outdoor-air fan thermostat settings.</li> <li>3. Clean or replace filters.</li> <li>4. Replace power head.</li> <li>5. Check low-pressure setting.</li> <li>6. Remove obstruction.</li> </ol> <ol style="list-style-type: none"> <li>1. Check for open doors or windows in vicinity of fan coil.</li> </ol>
<p><b>UNIT OPERATES TOO LONG OR CONTINUOUSLY</b></p> <ol style="list-style-type: none"> <li>1. Low refrigerant charge.</li> <li>2. Control contacts fused.</li> <li>3. Air in system.</li> <li>4. Partially plugged expansion valve or filter drier.</li> </ol>	<ol style="list-style-type: none"> <li>1. Add refrigerant.</li> <li>2. Replace control.</li> <li>3. Purge and evacuate system.</li> <li>4. Clean or replace.</li> </ol>
<p><b>SYSTEM IS NOISY</b></p> <ol style="list-style-type: none"> <li>1. Piping vibration.</li> <li>2. Compressor noisy.</li> </ol>	<ol style="list-style-type: none"> <li>1. Support piping as required.</li> <li>2. Replace compressor if bearings are worn.</li> </ol>
<p><b>COMPRESSOR LOSES OIL</b></p> <ol style="list-style-type: none"> <li>1. Leak in system.</li> <li>2. Crankcase heaters not energized during shutdown.</li> <li>3. Improper interconnecting piping design.</li> </ol>	<ol style="list-style-type: none"> <li>1. Repair leak.</li> <li>2. Check wiring and relays. Check heater and replace if defective.</li> <li>3. Check piping for oil return. Replace if necessary.</li> </ol>
<p><b>FROSTED SUCTION LINE</b></p> <p>Expansion valve admitting excess refrigerant.</p>	<p>Adjust expansion valve.</p>
<p><b>HOT LIQUID LINE</b></p> <ol style="list-style-type: none"> <li>1. Shortage of refrigerant due to leak.</li> <li>2. Expansion valve opens too wide.</li> </ol>	<ol style="list-style-type: none"> <li>1. Repair leak and recharge.</li> <li>2. Adjust expansion valve.</li> </ol>
<p><b>FROSTED LIQUID LINE</b></p> <ol style="list-style-type: none"> <li>1. Restricted filter drier.</li> <li>2. Liquid line solenoid valve partially closed.</li> </ol>	<ol style="list-style-type: none"> <li>1. Remove restriction or replace.</li> <li>2. Replace valve.</li> </ol>

**APPENDIX A — AIR CONDITIONER AND  
HEAT PUMP WITH PURON® —  
QUICK REFERENCE GUIDE**

- Puron® (R-410A) refrigerant operates at 50 percent to 70 percent higher pressures than R-22. Be sure that servicing equipment and replacement components are designed to operate with Puron refrigerant.
- Puron refrigerant cylinders are rose colored.
- Recovery cylinder service pressure rating must be 400 psig, DOT 4BA400 or DOT BW400.
- Puron systems should be charged with liquid refrigerant. Use a commercial type metering device in the manifold hose when charging into suction line with compressor operating.
- Manifold sets should be 700 psig high side and 180 psig low side with 550 psig low-side retard.
- Use hoses with 700 psig service pressure rating.
- Leak detectors should be designed to detect HFC refrigerant.
- Puron, as with other HFCs, is only compatible with POE oils.
- Vacuum pumps will not remove moisture from oil.
- Use only factory specified liquid-line filter driers with rated working pressures greater than 600 psig.
- Do not install a suction-line filter drier in liquid-line.
- POE oils absorb moisture rapidly. Do not expose oil to atmosphere.
- POE oils may cause damage to certain plastics and roofing materials.
- Wrap all filter driers and service valves with wet cloth when brazing.
- A factory approved, liquid-line filter drier is required on every unit.
- Do not use an R-22 TXV.
- If indoor unit is equipped with a TXV, it must be changed to a Puron TXV.
- Never open system to atmosphere while it is under a vacuum.
- When system must be opened for service, recover refrigerant, break vacuum with dry nitrogen before opening system.
- Always replace filter drier after opening system for service.
- Do not vent Puron refrigerant into the atmosphere.
- Do not use capillary tube coils.
- Observe all warnings, cautions, and bold text.
- All Puron heat pumps must have indoor TXV.
- Do not leave Puron suction line driers in place for more than 72 hours.

**APPENDIX B — WIRING DIAGRAMS**

UNIT	ELECTRICAL CHARACTERISTICS	DIAGRAM NUMBER	PAGE NUMBER
<b>569J*07G/H</b>	208/230-3-60	38AU000441	36
	460-3-60	38AU000441	36
	575-3-60	38AU000442	37
<b>569J*08G/H</b>	208/230-3-60	38AU000759	38
	460-3-60	38AU000760	39
	575-3-60	38AU000758	40
<b>569J*12M/N</b>	208/230-3-60	38AU501323	41
	460-3-60	38AU501322	42
	575-3-60	38AU501324	43
<b>569J*14M/N</b>	208/230-3-60	38AU501326	44
	460-3-60	38AU501325	45
	575-3-60	38AU501327	46
<b>569J*12T/U</b>	208/230-3-60	38AU501320	47
	460-3-60	38AU501319	48
	575-3-60	38AU501321	49
<b>569J*14T/U</b>	208/230-3-60	38AU501320	47
	460-3-60	38AU501319	48
	575-3-60	38AU501321	49

# APPENDIX B — WIRING DIAGRAMS (CONT)

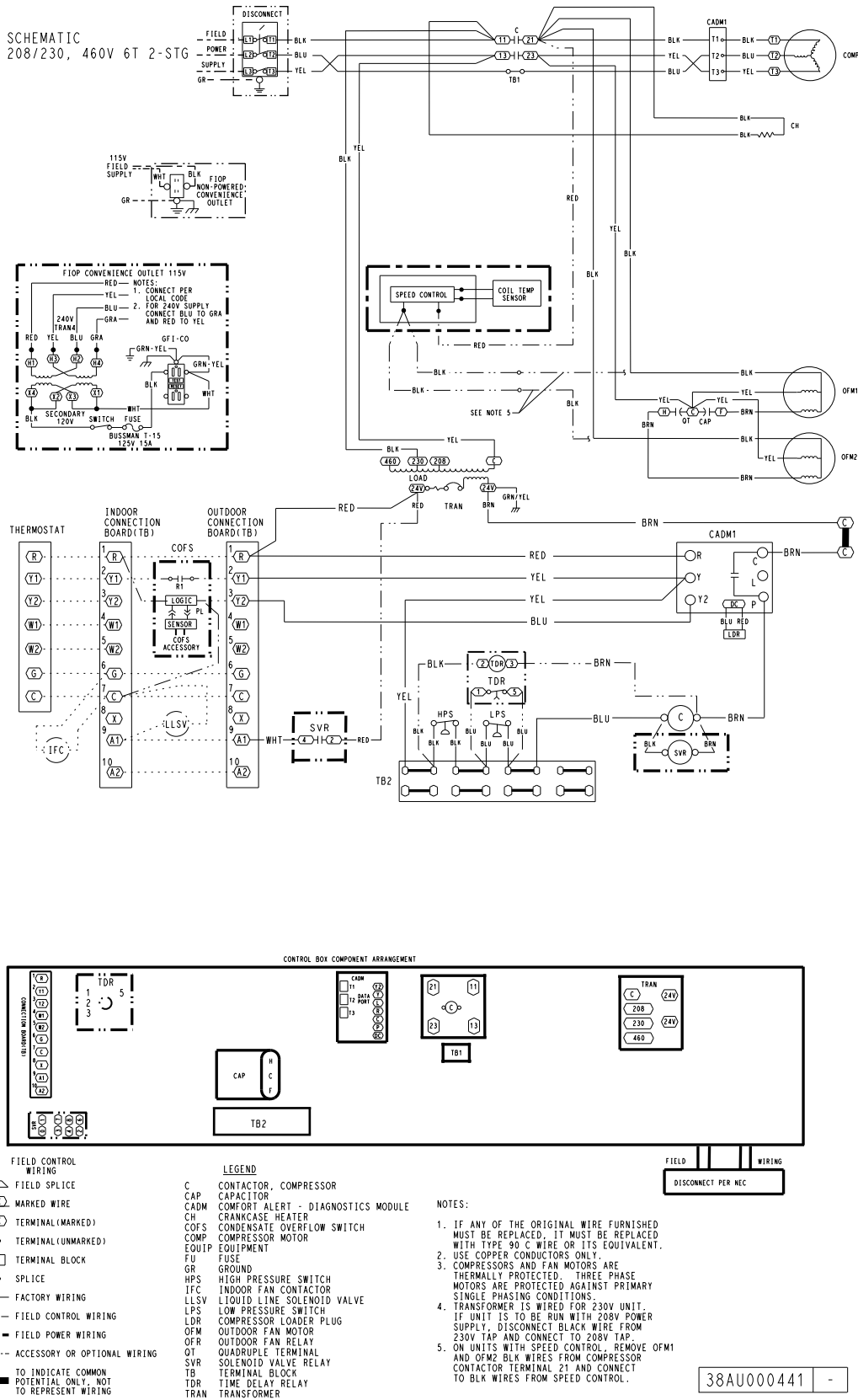
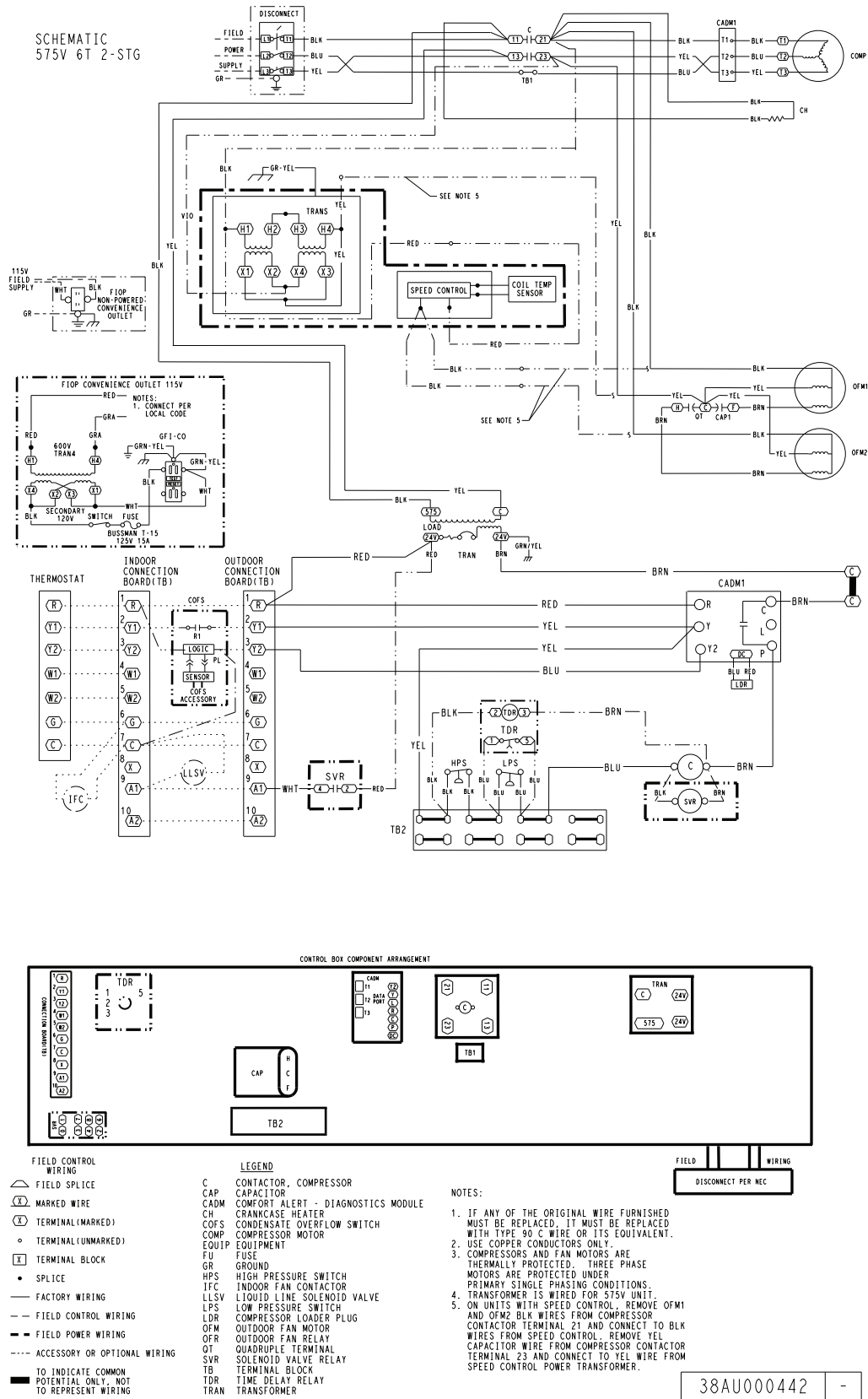


Fig. A — Single Circuit/Two-Stage Wiring Diagram, 6 Ton — 208/230-3-60 and 460-3-60 Units

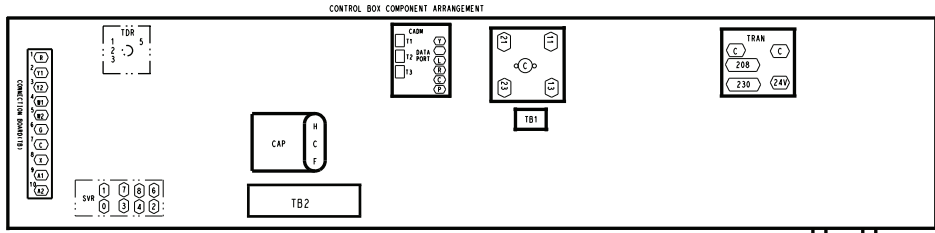
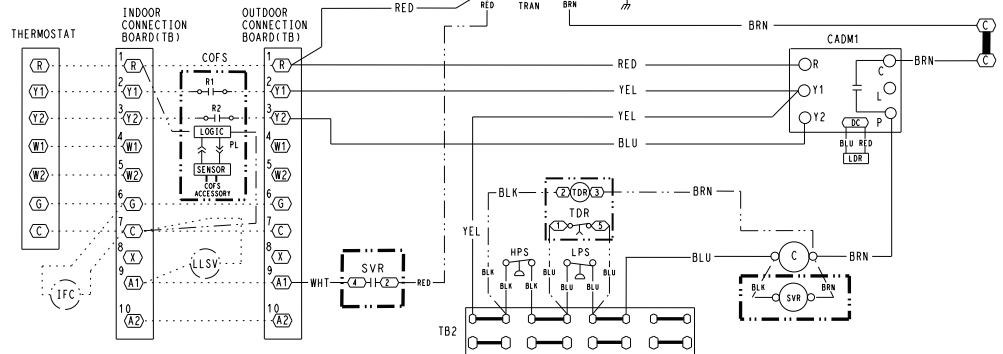
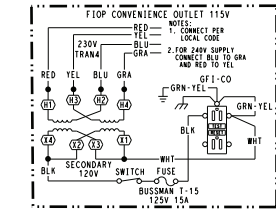
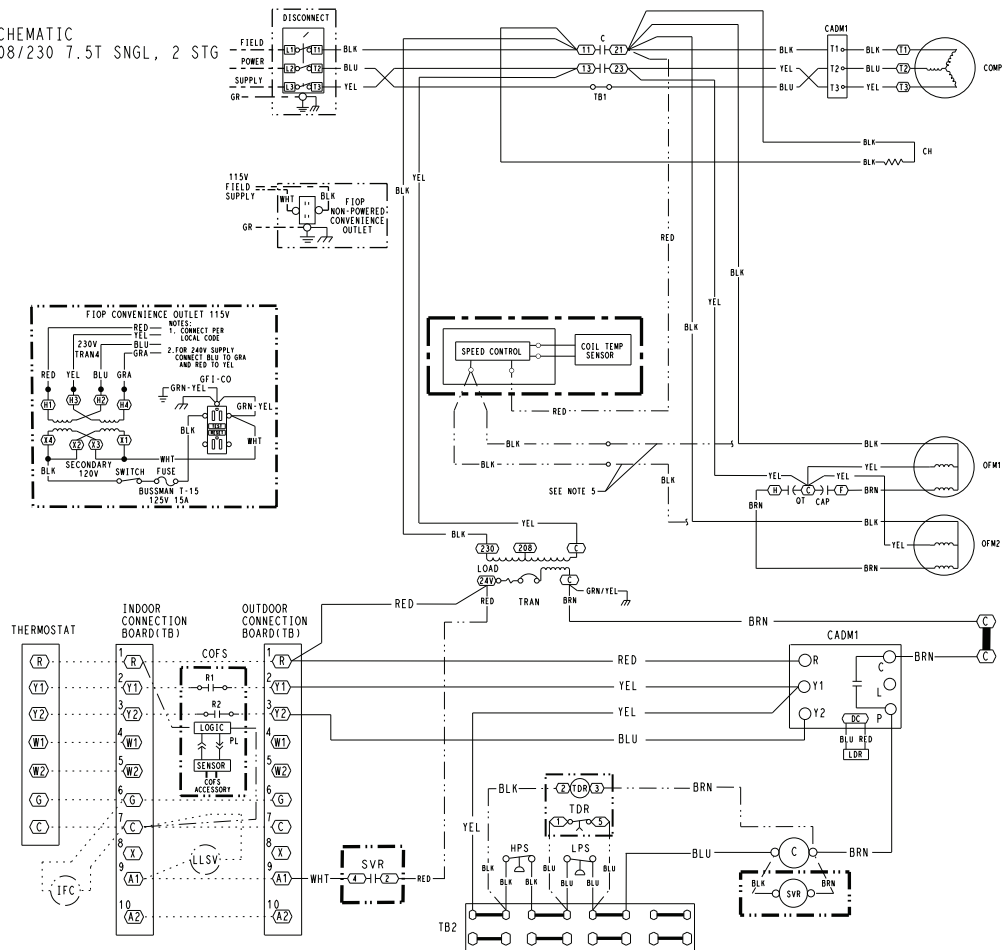
# APPENDIX B — WIRING DIAGRAMS (CONT)



**Fig. B — Single Circuit/Two-Stage Wiring Diagram, 6 Ton — 575-3-60 Units**

# APPENDIX B — WIRING DIAGRAMS (CONT)

SCHEMATIC  
208/230 7.5T SNGL, 2 STG



- LEGEND**
- |  |      |                                    |
|--|------|------------------------------------|
| FIELD CONTROL WIRING                                       | C    | CONTACTOR, COMPRESSOR              |
| FIELD SPLICE   | CAP  | CAPACITOR                          |
| MARKED WIRE  | CADM | COMFORT ALERT - DIAGNOSTICS MODULE |
| TERMINAL (MARKED)  | CH   | CRANKCASE HEATER                   |
| TERMINAL (UNMARKED)  | COFS | CONDENSATE OVERFLOW SWITCH         |
| TERMINAL BLOCK   | COMP | COMPRESSOR MOTOR                   |
| SPLICE   | CTD  | CYCLE TIMER DEVICE                 |
| FACTORY WIRING   | CTR  | COMPRESSOR TIMERR RELAY            |
| FIELD CONTROL WIRING                                       | DCS  | DIGITAL COMPRESSOR SOLENOID EQUIP  |
| FIELD POWER WIRING   | FU   | FUSE                               |
| ACCESSORY OR OPTIONAL WIRING                               | GR   | GROUND                             |
| TO INDICATE COMMON POTENTIAL ONLY. NOT TO REPRESENT WIRING | HPS  | HIGH PRESSURE SWITCH               |
|  | IFC  | INDOOR FAN CONTACTOR               |
|  | LDR  | COMPRESSOR LOADER PLUG             |
|  | LLSV | LIQUID LINE SOLENOID VALVE         |
|  | LPS  | LOW PRESSURE SWITCH                |
|  | OFM  | OUTDOOR FAN MOTOR                  |
|  | OFR  | OUTDOOR FAN RELAY                  |
|  | QT   | QUADRUPLE TERMINAL                 |
|  | SVR  | SOLENOID VALVE RELAY               |
|  | TB   | TERMINAL BLOCK                     |
|  | TDR  | TIME DELAY RELAY                   |
|  | TRAN | TRANSFORMER                        |

- NOTES:**
1. IF ANY OF THE ORIGINAL WIRE FURNISHED MUST BE REPLACED, IT MUST BE REPLACED WITH TYPE 90 C WIRE OR ITS EQUIVALENT.
  2. USE COPPER CONDUCTORS ONLY.
  3. COMPRESSORS AND FAN MOTORS ARE THERMALLY PROTECTED. THREE PHASE MOTORS ARE PROTECTED AGAINST PRIMARY SINGLE PHASING CONDITIONS.
  4. TRANSFORMER IS WIRED FOR 230V UNIT. IF THE UNIT IS TO BE RUN WITH 208V POWER SUPPLY, DISCONNECT BLACK WIRE FROM 230V TAP AND CONNECT TO 208V TAP.
  5. ON UNITS WITH SPEED CONTROL, REMOVE OFM1 AND OFM2 BLK WIRES FROM COMPRESSOR CONTACTOR TERMINAL 21 AND CONNECT TO BLK WIRES FROM SPEED CONTROL.

38AU000759 -

Fig. C — Single Circuit/Two-Stage Wiring Diagram, 7.5 Ton — 208/230-3-60 Units

# APPENDIX B — WIRING DIAGRAMS (CONT)

SCHEMATIC  
460V 7.5T SNGL, 2 STG

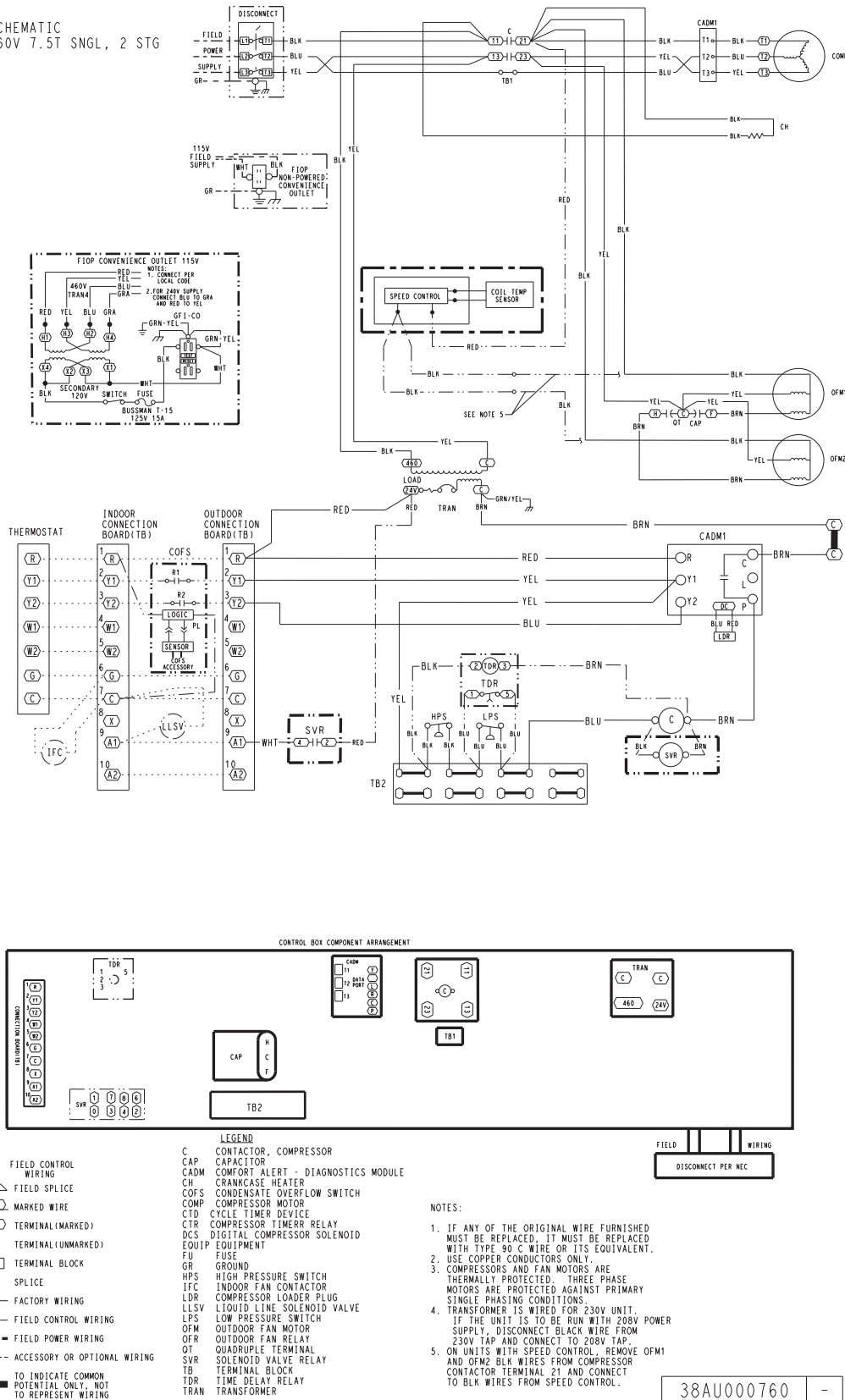


Fig. D — Single Circuit/Two-Stage Wiring Diagram, 7.5 Ton — 460-3-60 Units

# APPENDIX B — WIRING DIAGRAMS (CONT)

SCHEMATIC  
575V 7.5T SNGL, 2 STG

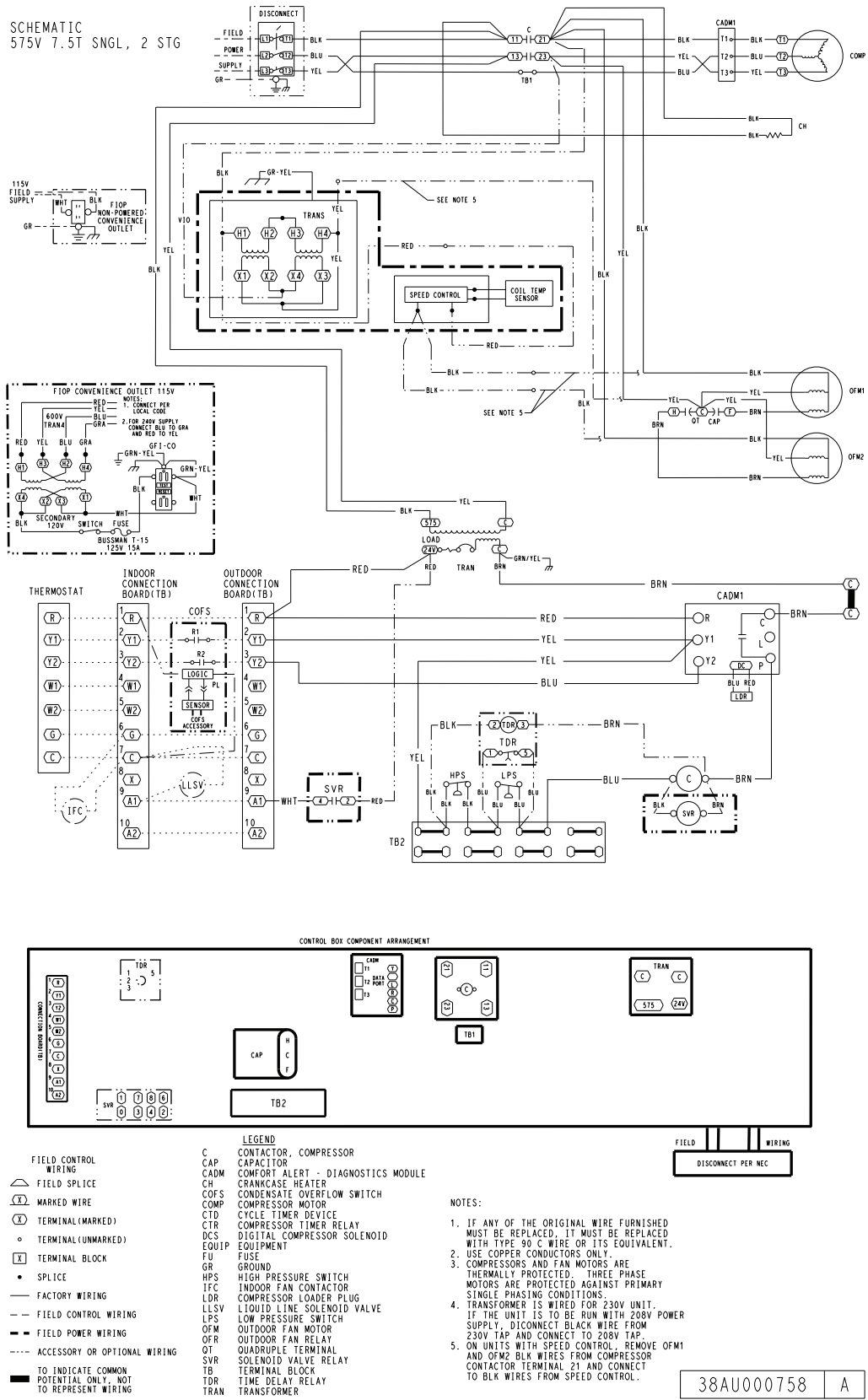


Fig. E — Single Circuit/Two-Stage Wiring Diagram, 7.5 Ton — 575-3-60 Units



# APPENDIX B — WIRING DIAGRAMS (CONT)

SCHEMATIC  
IOT 208/230V SNGL

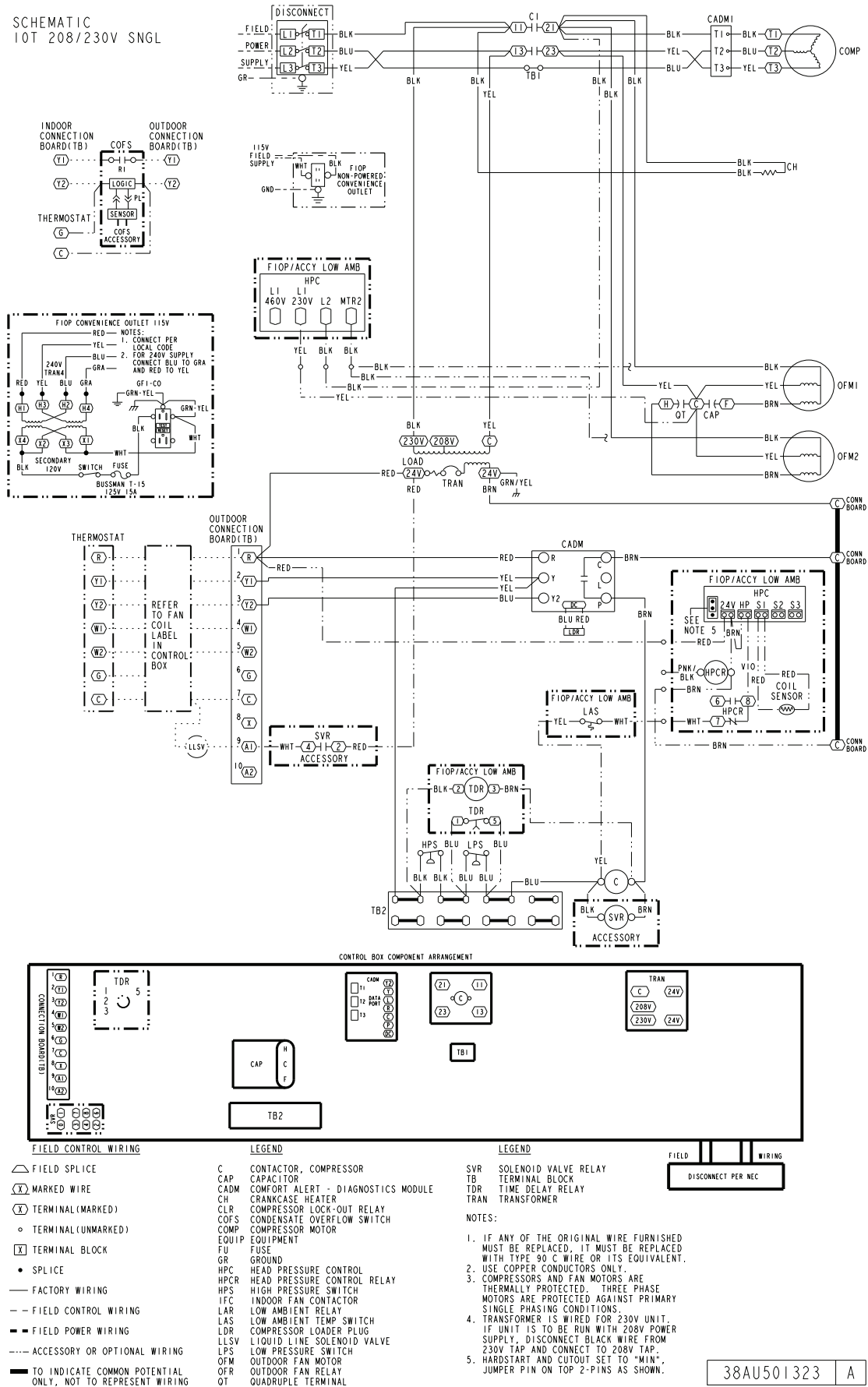


Fig. F — Single Circuit/2-Stage Wiring Diagram, 10 Ton — 208/230-3-60 Units

# APPENDIX B — WIRING DIAGRAMS (CONT)

SCHEMATIC  
IOT 460V SNGL

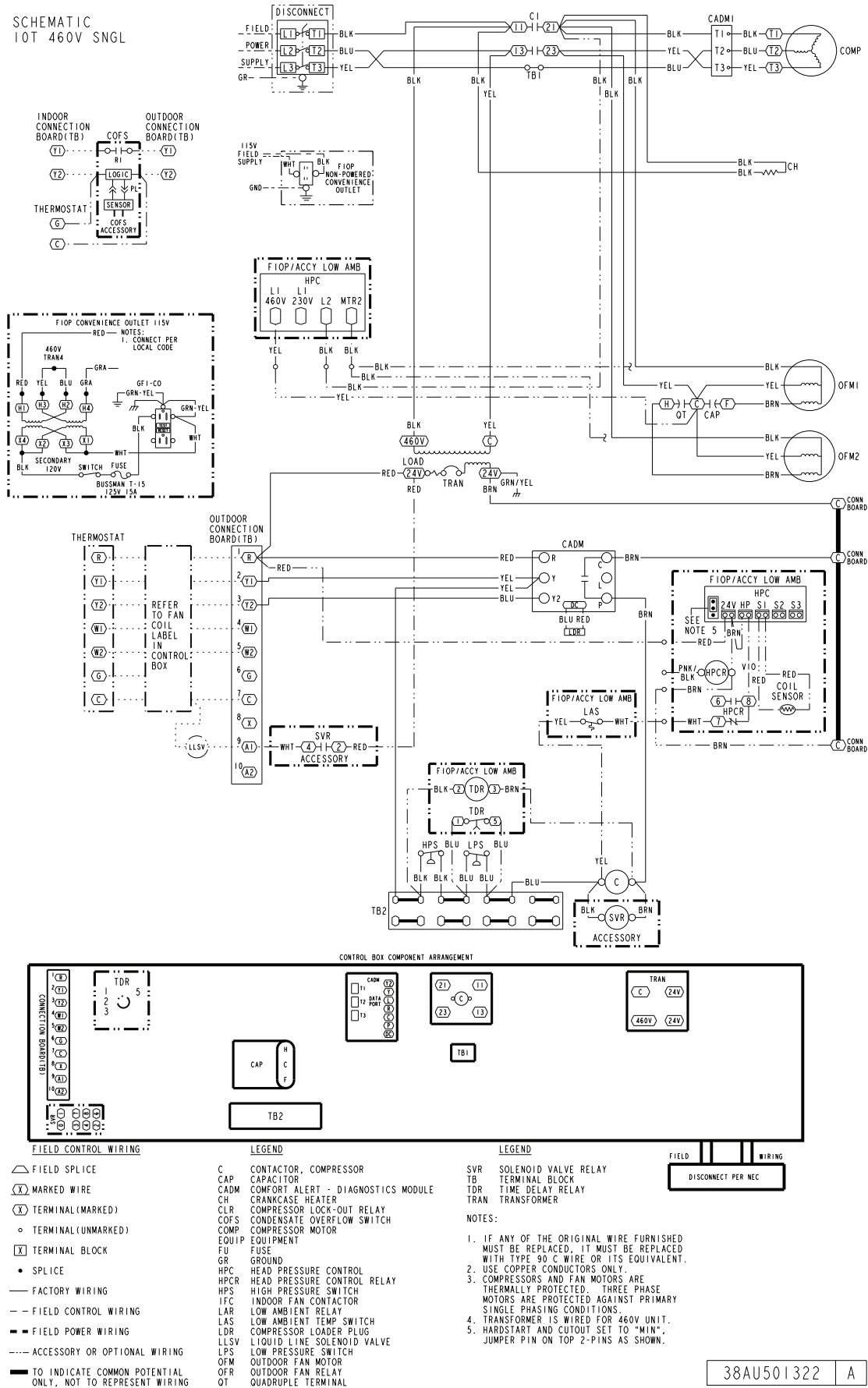


Fig. G — Single Circuit/2-Stage Wiring Diagram, 10 Ton — 460-3-60 Units

# APPENDIX B — WIRING DIAGRAMS (CONT)

SCHEMATIC  
10T 575V SNGL

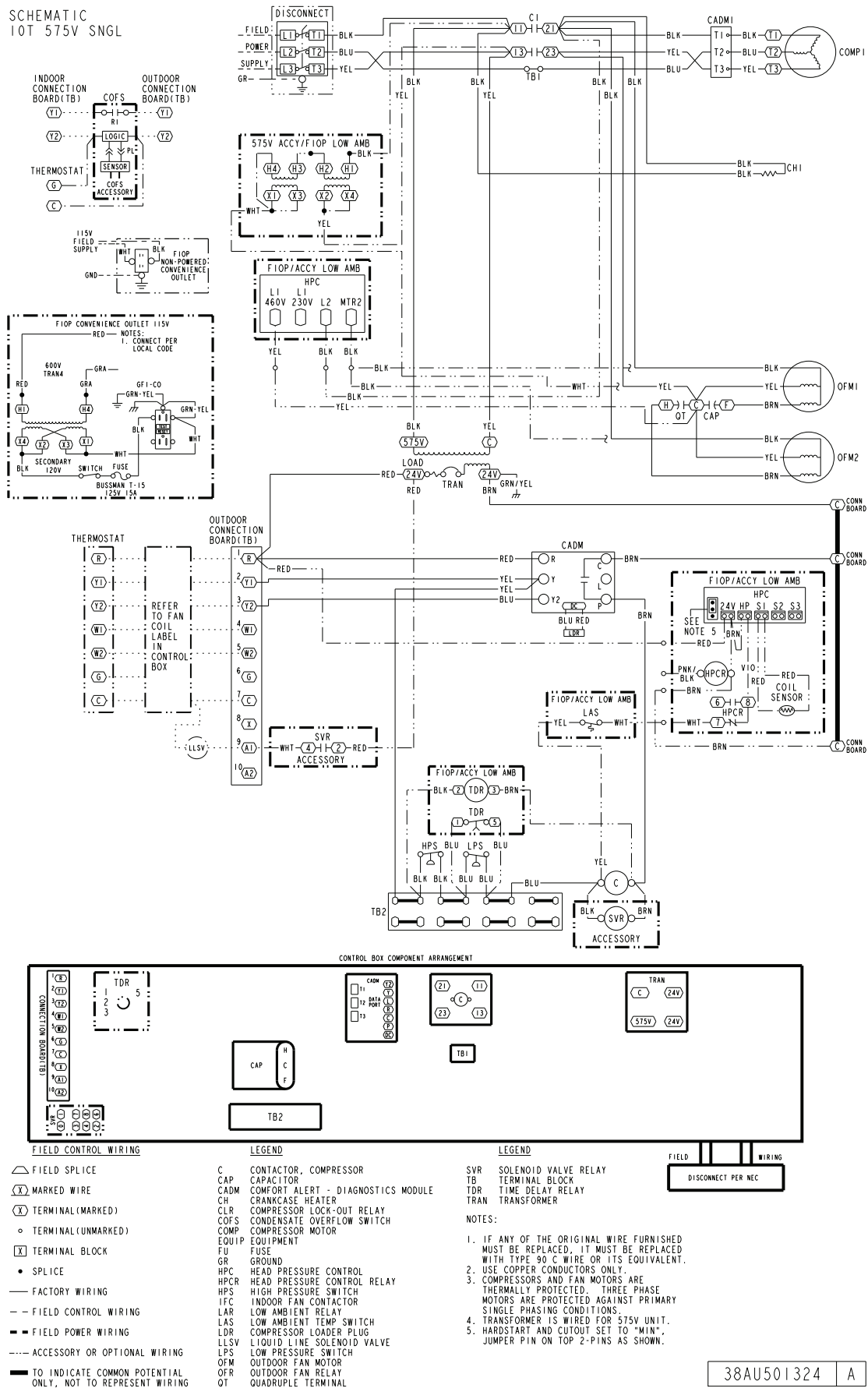


Fig. H — Single Circuit/2-Stage Wiring Diagram, 10 Ton — 575-3-60 Units

38AU501324 A

# APPENDIX B — WIRING DIAGRAMS (CONT)

SCHEMATIC  
12.5T 208/230V SNGL

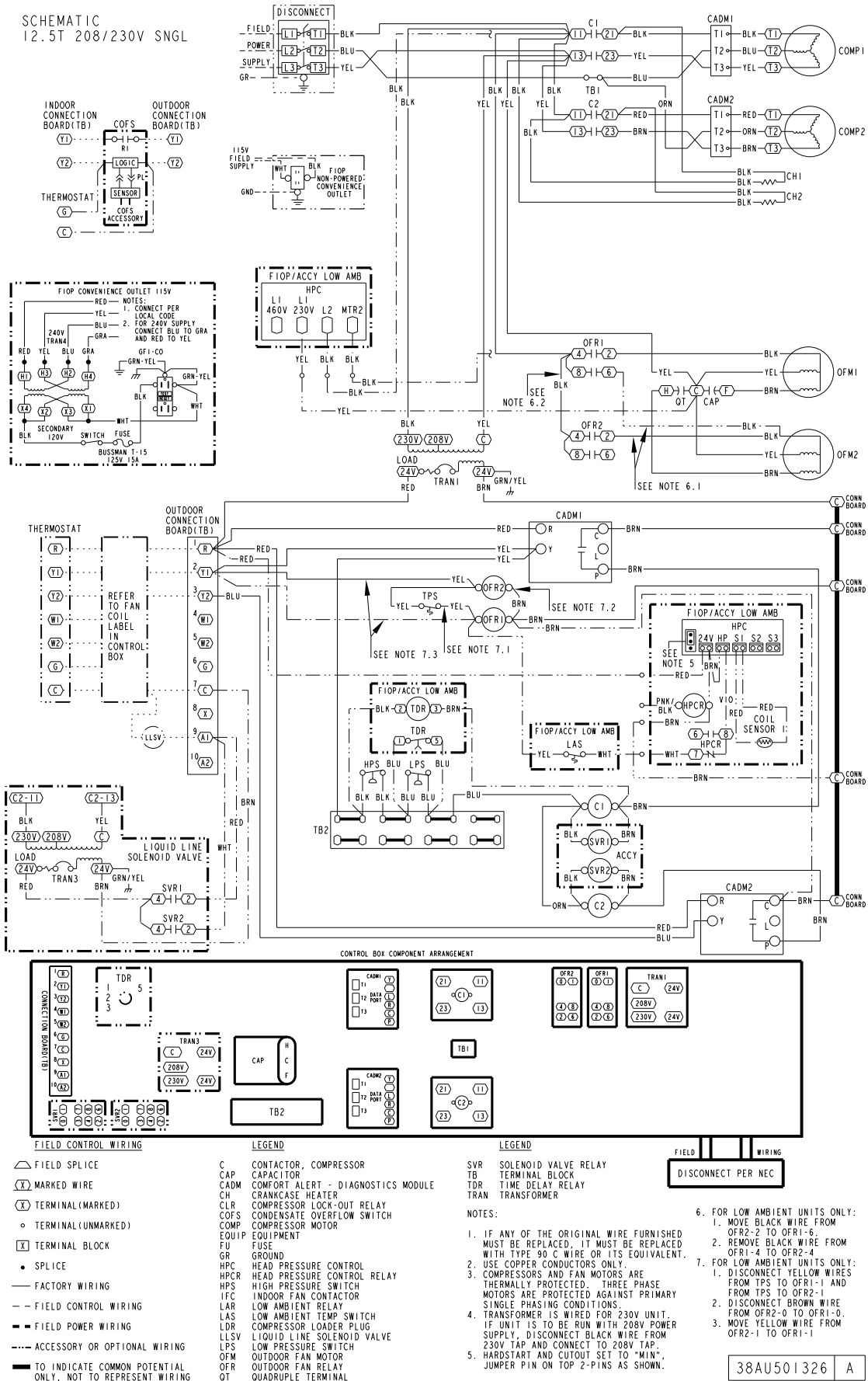


Fig. I — Single Circuit/2-Stage Wiring Diagram, 12.5 Ton — 208/230-3-60 Units

# APPENDIX B — WIRING DIAGRAMS (CONT)

SCHEMATIC  
12.5T 460V SNGL

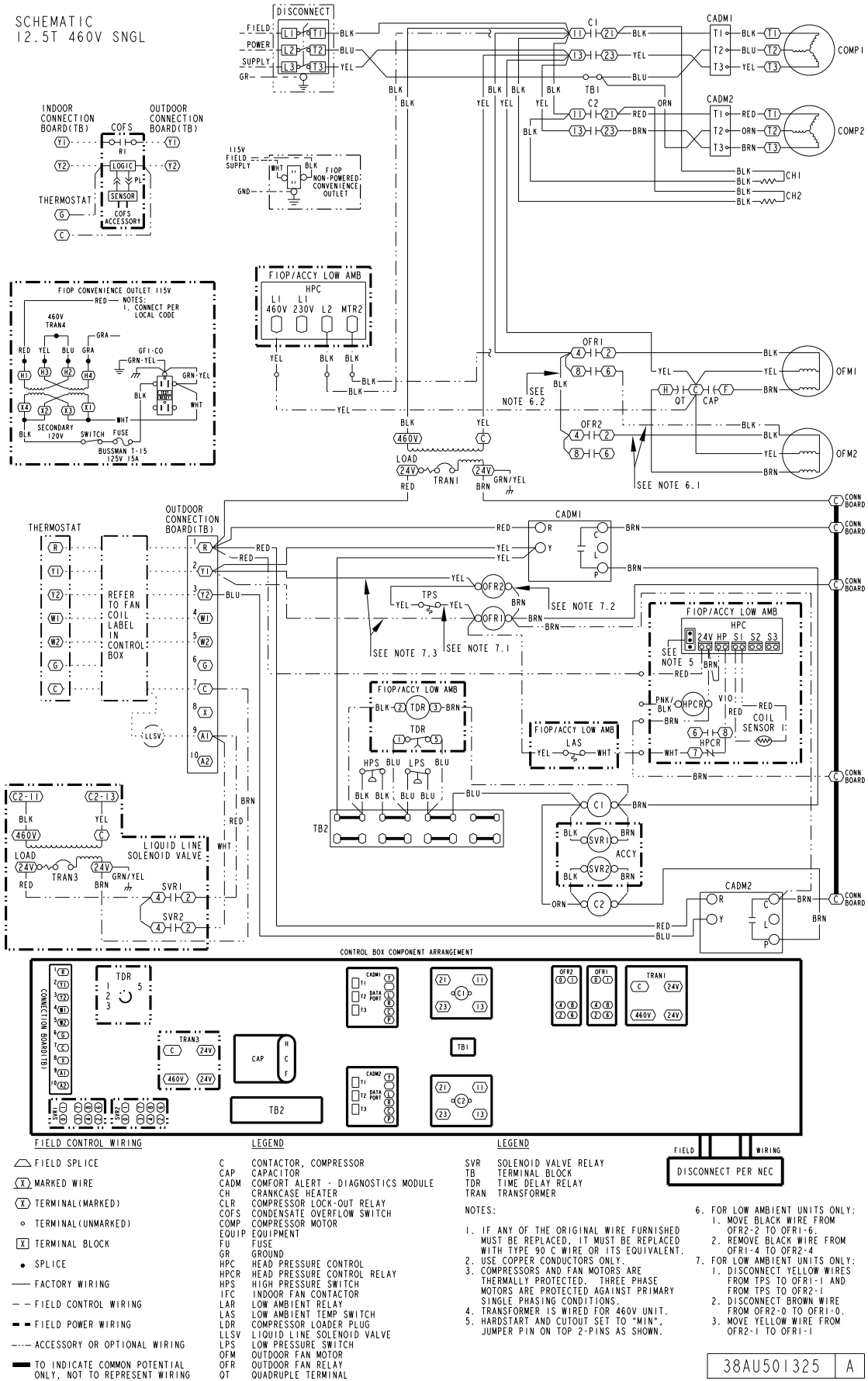


Fig. J — Single Circuit/2-Stage Wiring Diagram, 12.5 Ton — 460-3-60 Units

# APPENDIX B — WIRING DIAGRAMS (CONT)

SCHEMATIC  
12.5T 575V SNGL

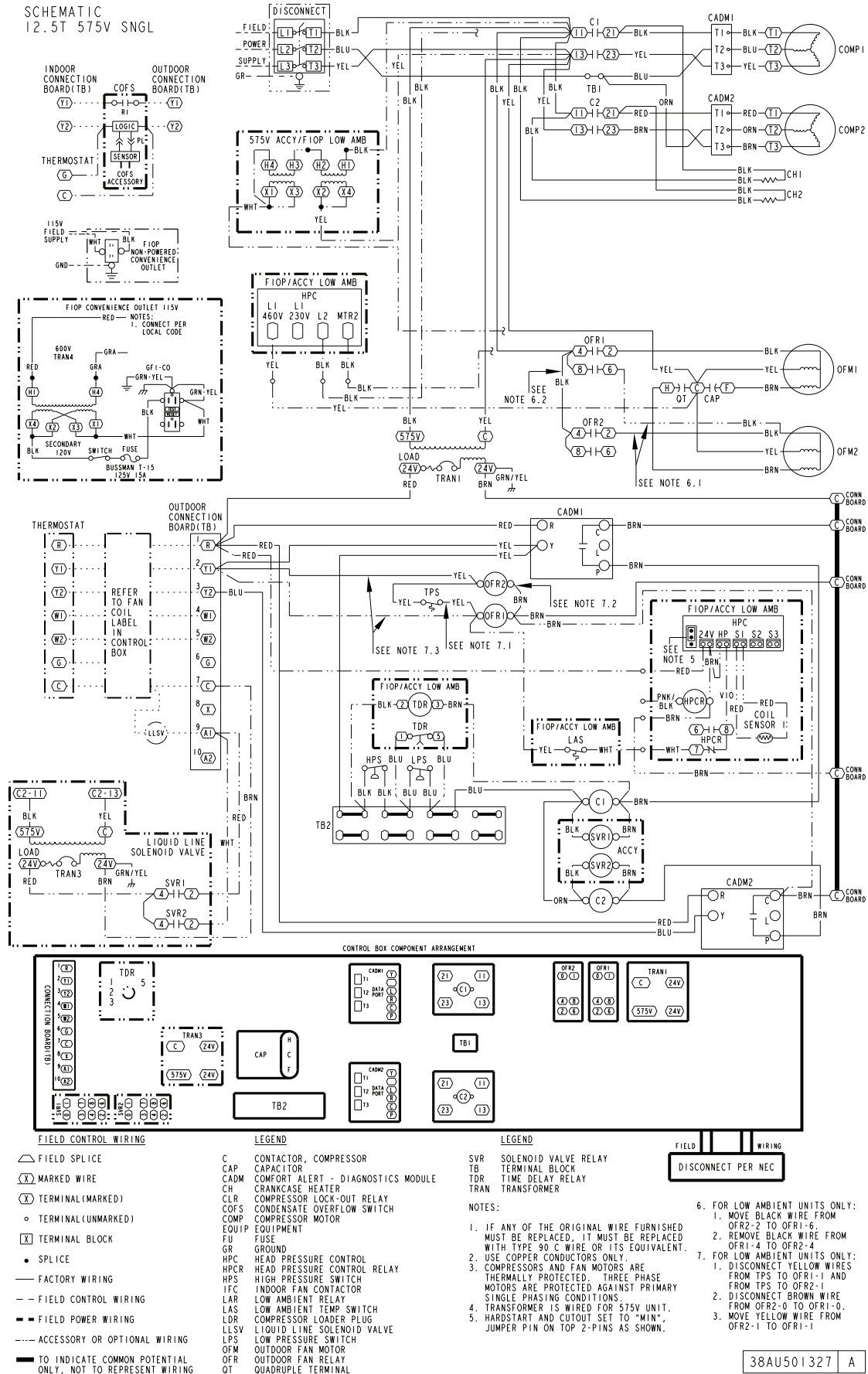
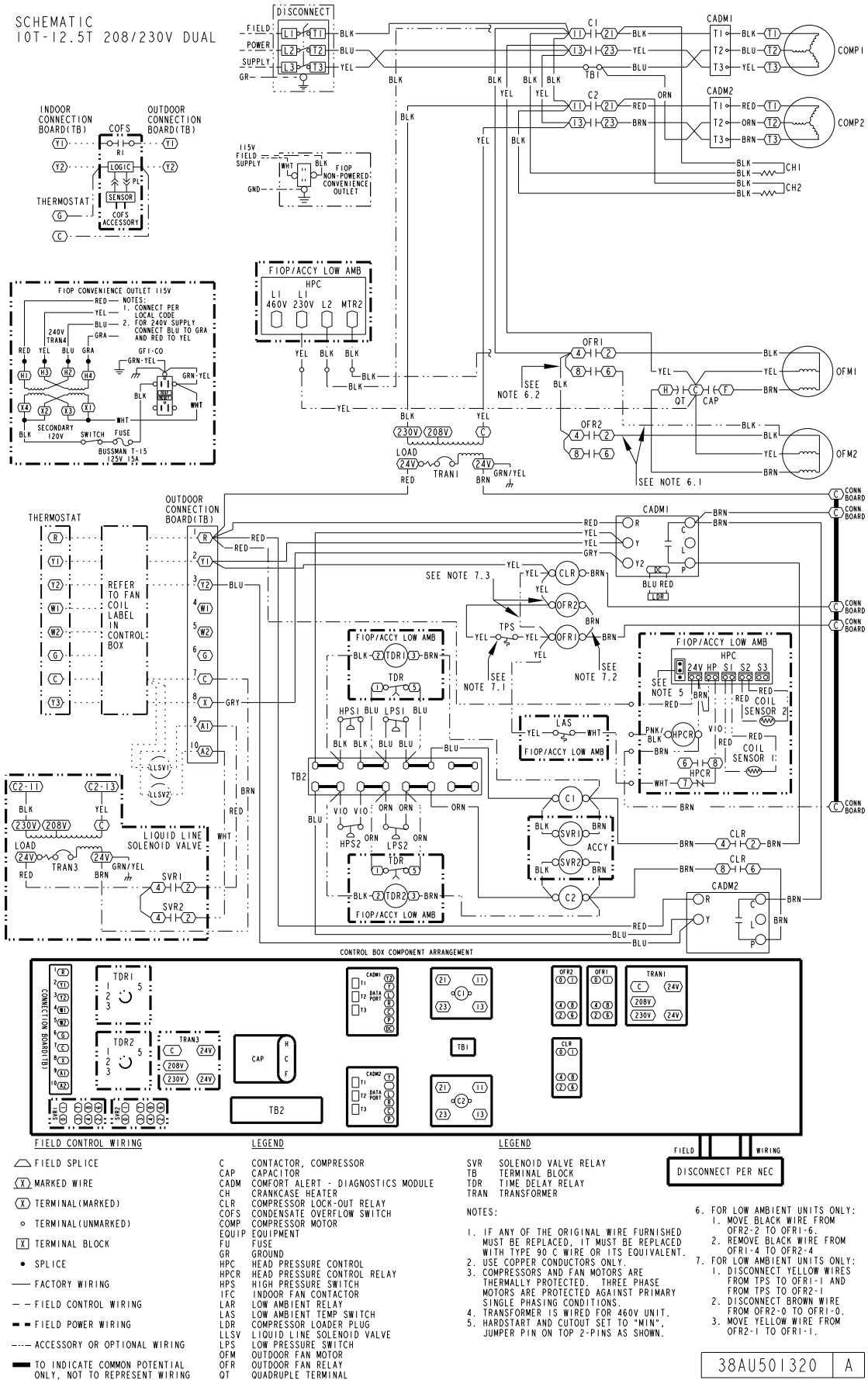


Fig. K — Single Circuit/2-Stage Wiring Diagram, 12.5 Ton — 575-3-60 Units

# APPENDIX B — WIRING DIAGRAMS (CONT)

SCHEMATIC  
10T-12.5T 208/230V DUAL



38AU501320 A

Fig. L — Dual Circuit/3-Stage Wiring Diagram, 10-12.5 Ton — 208/230-3-60 Units

# APPENDIX B — WIRING DIAGRAMS (CONT)

SCHEMATIC  
10T-12.5T 460V DUAL

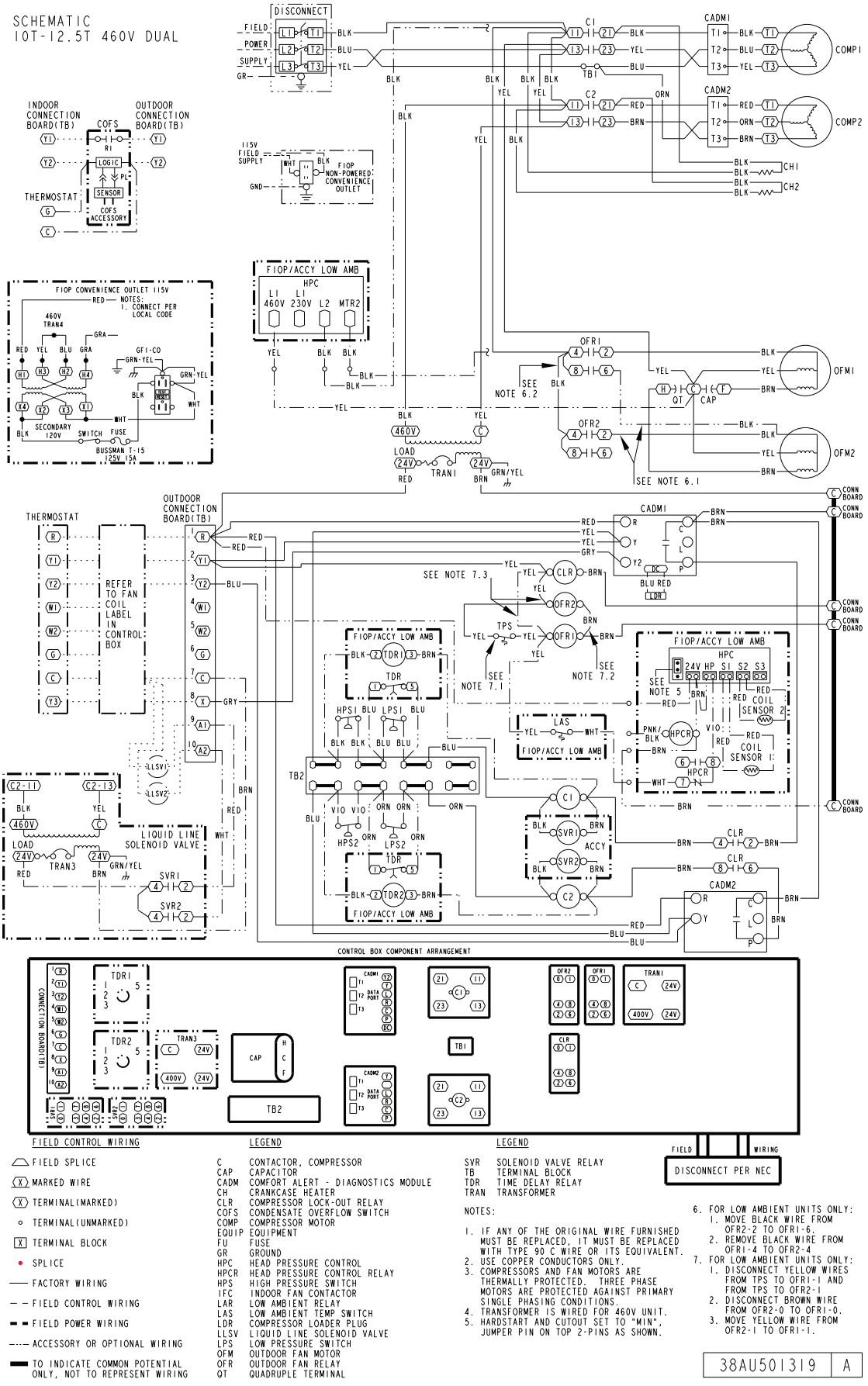
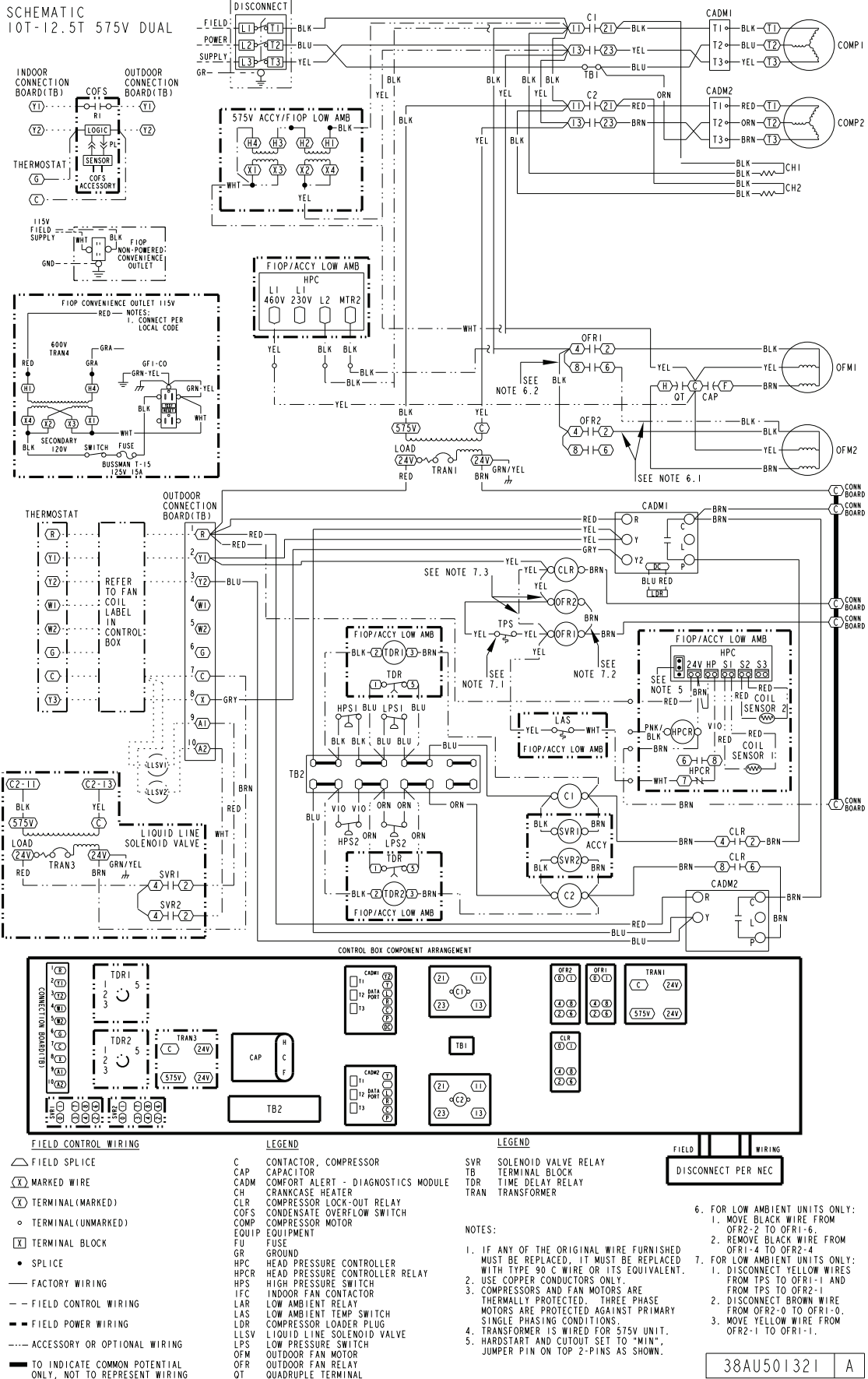


Fig. M — Dual Circuit/3-Stage Wiring Diagram, 10-12.5 Ton — 460-3-60 Units

38AU501319 A



# APPENDIX B — WIRING DIAGRAMS (CONT)



**Fig. N — Dual Circuit/3-Stage Wiring Diagram, 10-12.5 Ton — 575-3-60 Units**

## APPENDIX C — LOW AMBIENT OPTION

Units with the factory-installed low ambient control option are equipped with a solid-state head pressure control which regulates fan speed. A temperature sensor, mounted on either circuit 1 (569J\*\*\*G/H/M/N units) or both circuits 1 and 2 (569J\*\*\*T/U units) of the outdoor coil controls the speed of approved outdoor fan motors in order to maintain a constant head pressure in the outdoor coil (see Fig. O and Fig. P). The control maintains the appropriate head pressure at low ambient temperatures down to  $-20^{\circ}\text{F}$  ( $-28^{\circ}\text{C}$ ).

Wind baffles are required to prevent wind cross currents from causing abnormally low condensing temperatures.

**IMPORTANT:** Wind baffles are field-fabricated; they are not included with the factory-installed Motormaster control option.

Use 20-gauge sheet metal to fabricate wind baffles (see Fig. Q and Table A).

### OPERATION

Fan on/off control in cooling-only units is provided by an outdoor fan relay (OFR). In cooling mode, fan motor speed of outdoor motors OFM1 and OFM2 is regulated by the speed control temperature sensor on outdoor coil 1 for a minimum coil condensing temperature of approximately  $100^{\circ}\text{F}$  ( $38^{\circ}\text{C}$ ) at higher outdoor ambient temperature and  $80^{\circ}\text{F}$  ( $27^{\circ}\text{C}$ ) at lower ambient.

To override the speed control for full fan speed operation during service or maintenance, either:

- a. remove sensor and place in hot water  $>120^{\circ}\text{F}$  ( $>49^{\circ}\text{C}$ ).
- or
- b. rewire to bypass control by connecting speed control input and output power wires.

### Troubleshooting

OBSERVATION	POSSIBLE REMEDY
Fans won't start.	All fans: Check power and wiring Check outdoor fan relay (OFR) OFM1, OFM3 only: Check speed control sensor location Check speed sensor resistance OFM2, OFM4 only: Check low ambient switch (LAS) Check low ambient relay (LAR)
Cooling — Slow fan speed for outer fans (OFM1, OFM2) at start or during low outdoor ambient	Normal operation
Cooling — Slow fan speed for outer fans (OFM1, OFM2) above $85^{\circ}\text{F}$ ( $29^{\circ}\text{F}$ ) outdoor ambient (should be full speed)	Check speed control sensor location Check speed control sensor resistance Check fan motor capacitor
Cooling — Motor current into speed control is greater than motor nameplate FLA	Normal operation Up to 30% higher A at partial speed at low ambient

### Speed Control Sensor Resistance

TEMPERATURE		RESISTANCE
$^{\circ}\text{F} \pm -2^{\circ}\text{F}$	$^{\circ}\text{C} \pm -1^{\circ}\text{C}$	Ohms, nominal
-22	-30	88,350
-4	-20	48,485
14	-10	27,650
32	0	16,325
50	12	9,950
68	20	6,245
77	25	5,000
86	30	4,028
104	40	2,663
122	50	1,801
140	60	1,244
158	70	876

APPENDIX C — LOW AMBIENT OPTION (CONT)

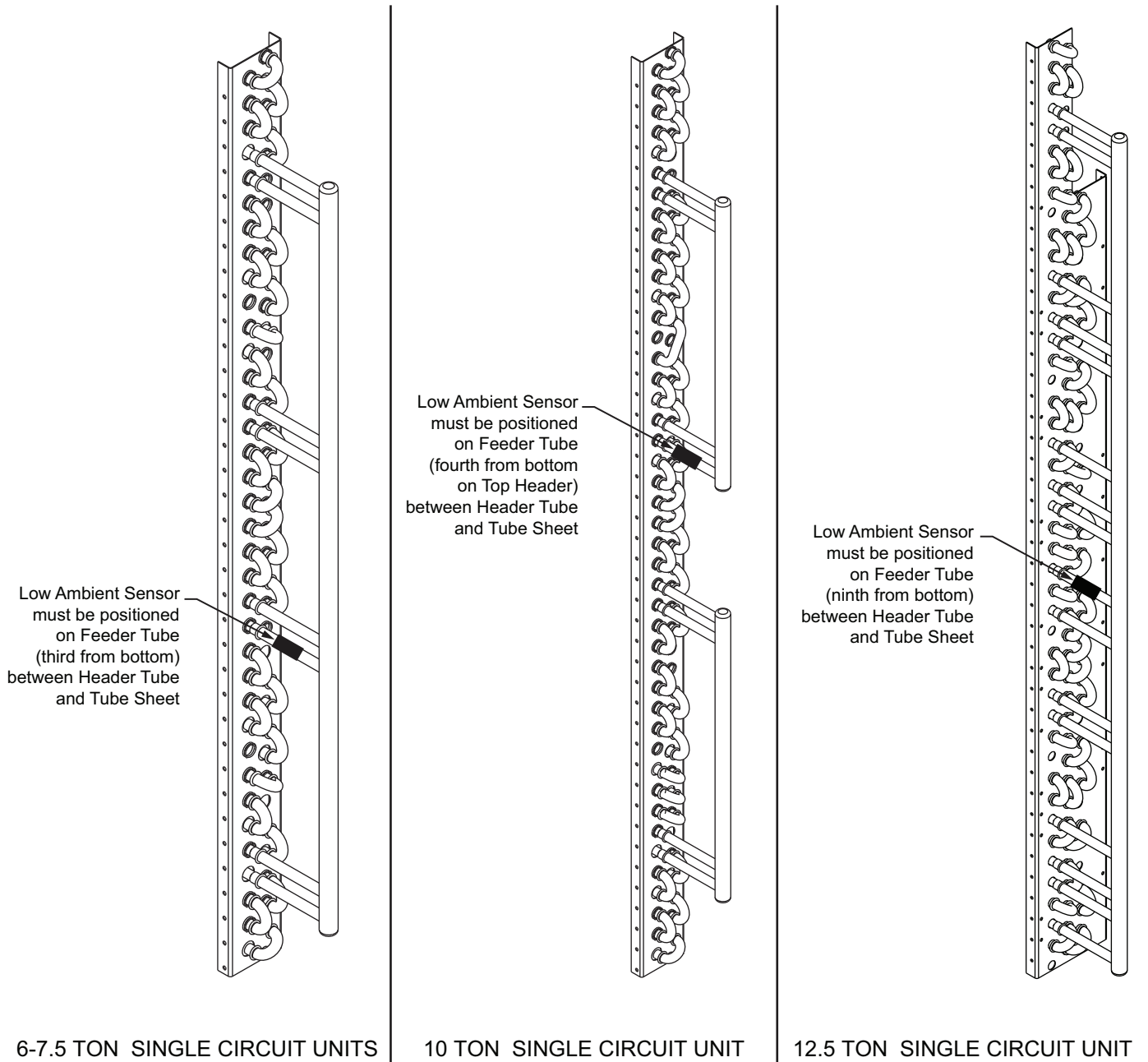


Fig. O — 569J\*07-14 Single Circuit Low Ambient Control Sensor Locations (RTPF)

APPENDIX C — LOW AMBIENT OPTION (CONT)

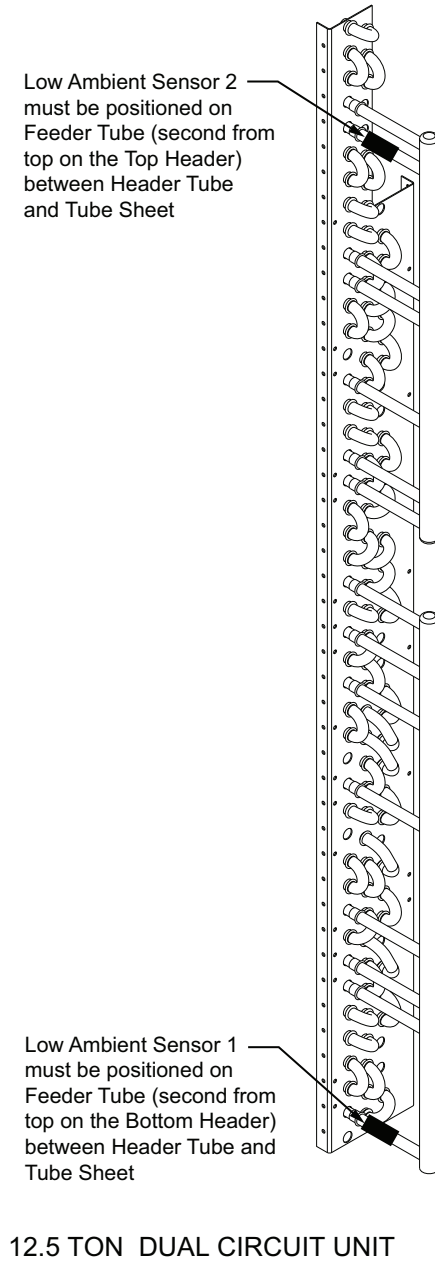
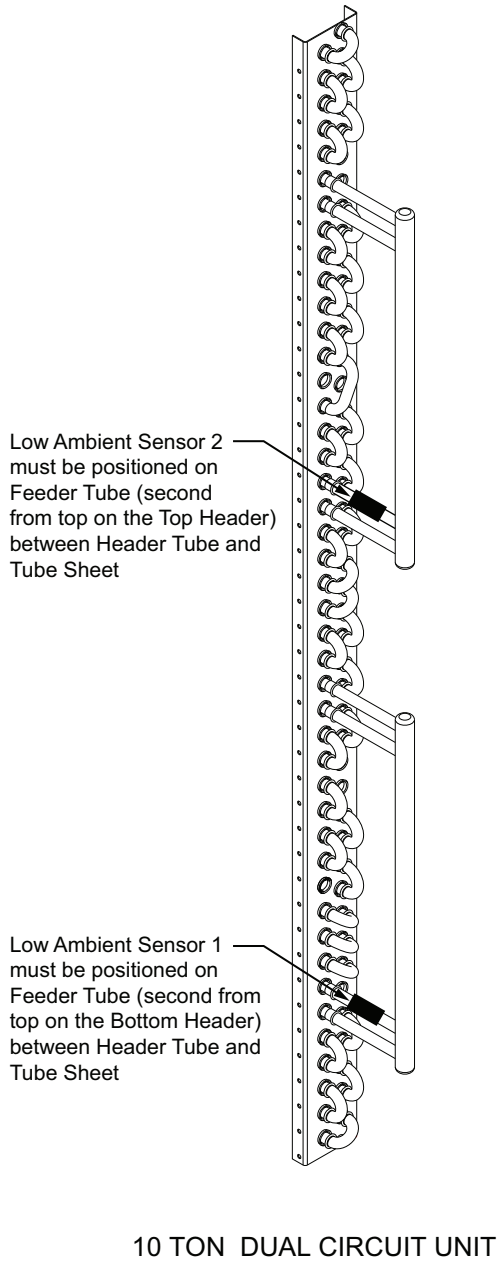


Fig. P — 569J\*12-14 Two Circuit Low Ambient Control Sensor Locations (RTPF)

APPENDIX C — LOW AMBIENT OPTION (CONT)

53

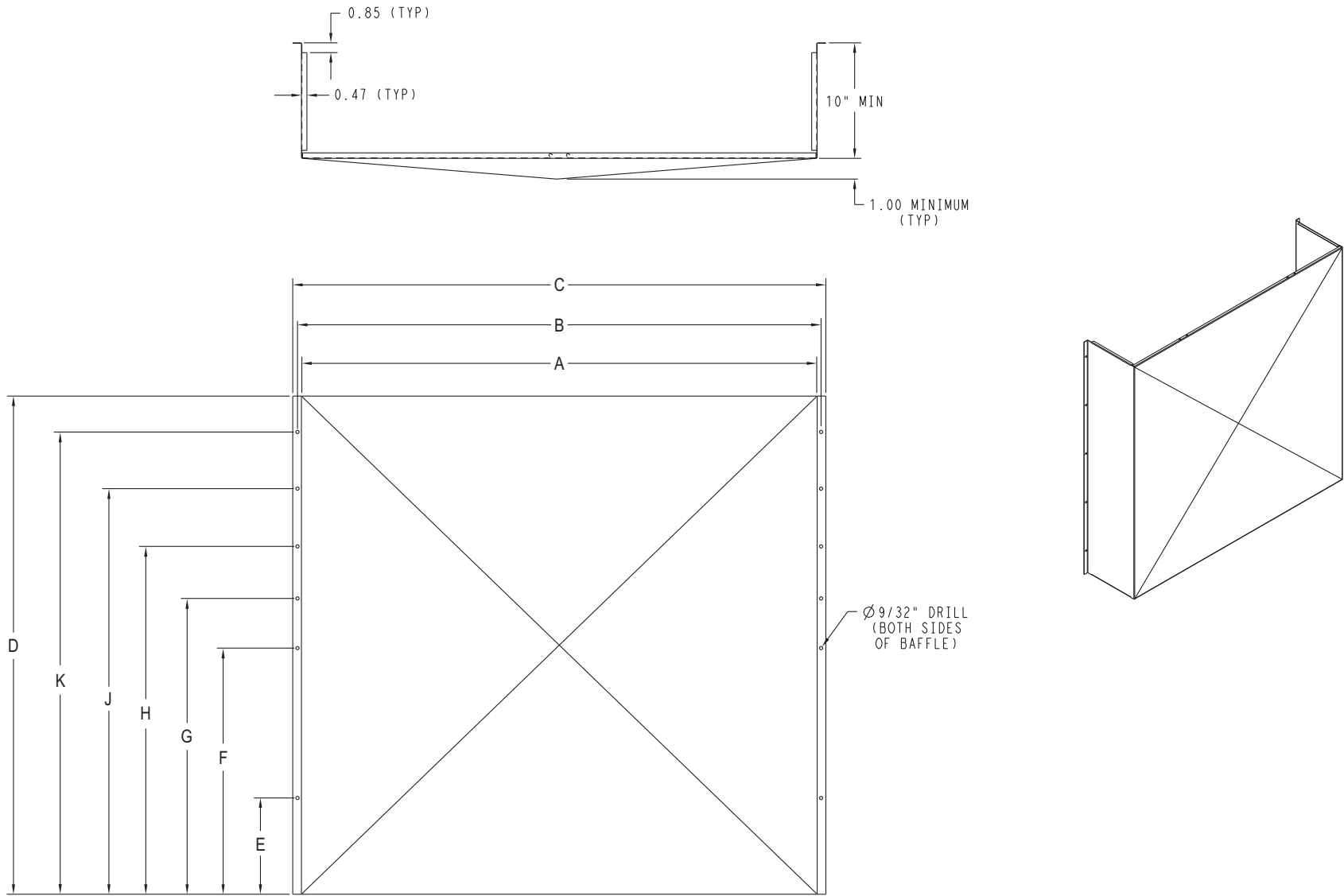


Fig. Q — Wind Baffles

**APPENDIX C — LOW AMBIENT OPTION (CONT)**

**Table A — Wind Baffle Dimension**

<b>DIMENSIONS — INCHES</b>											
<b>UNIT</b>	<b>BAFFLE</b>	<b>A</b>	<b>B</b>	<b>C</b>	<b>D</b>	<b>E</b>	<b>F</b>	<b>G</b>	<b>H</b>	<b>J</b>	<b>K</b>
<b>569J*07G/H</b>	LEFT SIDE	28 1/2	29	29-3/4	35-1/4	1-1/4	9-1/4	17-1/4	25-1/4	33-1/4	—
	BACK	40	40-3/4	41-1/2	35-1/4	4-1/4	11-1/4	18-1/4	25-1/4	32-1/4	—
<b>569J*08G/H</b>	LEFT SIDE	28 1/2	29	29 3/4	35-1/4	1-1/4	9-1/4	17-1/4	25-1/4	33-1/4	—
	BACK	40	40-3/4	41-1/2	35-1/4	4-1/4	11-1/4	18-1/4	25-1/4	32-1/4	—
<b>569J*12M/N 569J*12T/U</b>	LEFT SIDE	40 1/2	41	41-3/4	43-1/8	1-1/4	9-1/4	17-1/4	25-1/4	33-1/4	41-1/4
	BACK	40	40-3/4	41-1/2	43-1/8	4-1/4	11-1/4	18-1/4	25-1/4	32-1/4	39-1/4
<b>569J*14M/N 569J*14T/U</b>	LEFT SIDE	40 1/2	41	41-3/4	43-1/8	1-1/4	9-1/4	17-1/4	25-1/4	33-1/4	41-1/4
	BACK	40	40-3/4	41-1/2	43-1/8	4-1/4	11-1/4	18-1/4	25-1/4	32-1/4	39-1/4
	RIGHT SIDE	25	25-1/2	26-1/4	43-1/8	4-1/4	11-1/4	18-1/4	25-1/4	32-1/4	39-1/4
<b>DIMENSIONS — MM</b>											
<b>UNIT</b>	<b>BAFFLE</b>	<b>A</b>	<b>B</b>	<b>C</b>	<b>D</b>	<b>E</b>	<b>F</b>	<b>G</b>	<b>H</b>	<b>J</b>	<b>K</b>
<b>569J*07G/H</b>	LEFT SIDE	718	737	756	895	33	236	439	643	846	—
	BACK	1016	1035	1054	895	107	284	462	640	818	—
<b>569J*08G/H</b>	LEFT SIDE	718	737	756	895	33	236	439	643	846	—
	BACK	1016	1035	1054	895	107	284	462	640	818	—
<b>569J*12M/N</b>	LEFT SIDE	1022	1041	1060	1095	33	236	439	643	846	1049
	BACK	1016	1035	1054	1095	107	284	462	640	818	996
<b>569J*12T/U 569J*14M/N 569J*14T/U</b>	LEFT SIDE	1022	1041	1060	1095	33	236	439	643	846	1049
	BACK	1016	1035	1054	1095	107	284	462	640	818	996
	RIGHT SIDE	629	648	667	1095	107	284	462	640	818	996

**START-UP CHECKLIST**  
(REMOVE AND USE FOR JOB FILE)

**NOTE: To avoid injury to personnel and damage to equipment or property when completing the procedures listed in this start-up checklist, use good judgment, follow safe practices, and adhere to the safety considerations/information as outlined in preceding sections of this Installation, Start-Up, and Service document.**

**I. PRELIMINARY INFORMATION**

OUTDOOR: MODEL NO. \_\_\_\_\_ SERIAL NO. \_\_\_\_\_  
INDOOR: AIR HANDLER MANUFACTURER \_\_\_\_\_  
MODEL NO. \_\_\_\_\_ SERIAL NO. \_\_\_\_\_  
ADDITIONAL ACCESSORIES \_\_\_\_\_

**II. PRE-START-UP**

OUTDOOR UNIT  
IS THERE ANY SHIPPING DAMAGE? (Y/N) \_\_\_\_\_  
IF SO, WHERE: \_\_\_\_\_  
\_\_\_\_\_  
WILL THIS DAMAGE PREVENT UNIT START-UP? (Y/N) \_\_\_\_\_  
CHECK POWER SUPPLY. DOES IT AGREE WITH UNIT? (Y/N) \_\_\_\_\_  
HAS THE GROUND WIRE BEEN CONNECTED? (Y/N) \_\_\_\_\_  
VERIFY GROUND INTEGRITY WITH CONTINUITY TEST. (Y/N) \_\_\_\_\_  
HAS THE CIRCUIT PROTECTION BEEN SIZED AND INSTALLED PROPERLY? (Y/N) \_\_\_\_\_  
ARE THE POWER WIRES TO THE UNIT SIZED AND INSTALLED PROPERLY? (Y/N) \_\_\_\_\_

**CONTROLS**

ARE THERMOSTAT AND INDOOR FAN CONTROL WIRING CONNECTIONS MADE AND CHECKED? (Y/N) \_\_\_\_\_  
(Thermostat wiring must be made directly to the fan coil unit.)  
ARE ALL WIRING TERMINALS (including main power supply) TIGHT? (Y/N) \_\_\_\_\_  
HAS CRANKCASE HEATER BEEN ENERGIZED FOR 24 HOURS? (Y/N) \_\_\_\_\_

**INDOOR UNIT**

HAS WATER BEEN PLACED IN DRAIN PAN TO CONFIRM PROPER DRAINAGE? (Y/N) \_\_\_\_\_  
ARE PROPER AIR FILTERS IN PLACE? (Y/N) \_\_\_\_\_  
HAVE FAN AND MOTOR PULLEYS BEEN CHECKED FOR PROPER ALIGNMENT? (Y/N) \_\_\_\_\_  
DO THE FAN BELTS HAVE PROPER TENSION? (Y/N) \_\_\_\_\_  
HAS CORRECT FAN ROTATION BEEN CONFIRMED? (Y/N) \_\_\_\_\_

**PIPING**

ARE LIQUID LINE SOLENOID VALVES LOCATED AT THE INDOOR COILS AS REQUIRED? (Y/N) \_\_\_\_\_  
HAVE LEAK CHECKS BEEN MADE AT COMPRESSOR, OUTDOOR AND INDOOR COILS, TXVs (Thermostatic Expansion Valves), SOLENOID VALVES, FILTER DRIERS, AND FUSIBLE PLUGS WITH A LEAK DETECTOR? (Y/N) \_\_\_\_\_  
LOCATE, REPAIR, AND REPORT ANY LEAKS.  
HAVE LIQUID LINE SERVICE VALVES BEEN OPENED? (Y/N) \_\_\_\_\_  
HAVE SUCTION LINE SERVICE VALVES BEEN OPENED? (Y/N) \_\_\_\_\_

